

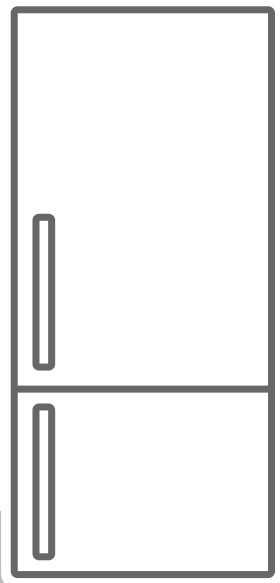


**EN** Fridge - Freezer / User Manual

**CZ** ?ca V]bcj Ubz`W`UXb] \_U/ Návod k použití

**PL** Lodówko-zamrażarka / Instrukcja obsługi

**SK** ?ca V]bcj Ubz`W`UXb] \_U / Bzj cX`bUcVg`i \ i








**KC2192J**

## Thank you for choosing this product.

This user manual contains important information on safety and instructions intended to assist you in the operation and maintenance of your appliance.

Please take the time to read this user manual before using your appliance and keep this book for future reference.

Icon	Type	Meaning
	<b>WARNING</b>	Serious injury or death risk
	<b>RISK OF ELECTRIC SHOCK</b>	Dangerous voltage risk
	<b>FIRE</b>	Warning; Risk of fire / flammable materials
	<b>CAUTION</b>	Injury or property damage risk
	<b>IMPORTANT</b>	Operating the system correctly

# CONTENTS

<b>1 SAFETY INSTRUCTIONS .....</b>	<b>4</b>
1.1 General Safety Warnings .....	4
1.2 Installation warnings .....	7
1.3 During Usage.....	8
<b>2 DESCRIPTION OF THE APPLIANCE .....</b>	<b>9</b>
2.1 Dimensions.....	9
<b>3 USING THE APPLIANCE .....</b>	<b>10</b>
3.1 Thermostat Setting .....	11
3.2 Temperature Settings Warnings .....	11
3.3 Accessories .....	12
3.3.1 Ice Tray ( <i>In some models</i> ).....	<b>12</b>
3.3.2 The Plastic Scraper ( <i>In some models</i> ).....	<b>12</b>
<b>4 FOOD STORAGE .....</b>	<b>12</b>
4.1 Refrigerator Compartment.....	12
4.2 Freezer Compartment .....	13
<b>5 CLEANING AND MAINTENANCE.....</b>	<b>15</b>
5.1 Defrosting .....	16
<b>6 SHIPMENT AND REPOSITIONING.....</b>	<b>17</b>
6.1 Transportation and Changing Positioning .....	17
<b>7 BEFORE CALLING AFTER-SALES SERVICE .....</b>	<b>17</b>
<b>8 TIPS FOR SAVING ENERGY .....</b>	<b>18</b>
<b>9 TECHNICAL DATA.....</b>	<b>18</b>
<b>10 INFORMATION FOR TEST INSTITUTES .....</b>	<b>19</b>
<b>11 CUSTOMER CARE AND SERVICE.....</b>	<b>19</b>

# 1 SAFETY INSTRUCTIONS

## 1.1 General Safety Warnings

**Read this user manual carefully.**

**⚠ WARNING:** Keep ventilation openings, in the appliance enclosure or in the built-in structure, clear of obstruction.

**⚠ WARNING:** Do not use mechanical devices or other means to accelerate the defrosting process, other than those recommended by the manufacturer.

**⚠ WARNING:** Do not use electrical appliances inside the food storage compartments of the appliance, unless they are of the type recommended by the manufacturer.

**⚠ WARNING:** Do not damage the refrigerant circuit.

**⚠ WARNING:** When positioning the appliance, ensure the supply cord is not trapped or damaged.

**⚠ WARNING:** Do not locate multiple portable socket-outlets or portable power supplies at the rear of the appliance.

**⚠ WARNING:** In order to avoid any hazards resulting from the instability of the appliance, it must be fixed in accordance with the instructions.

**⚠** If your appliance uses R600a as a refrigerant (this information will be provided on the label of the cooler) you should take care during transportation and installation to prevent the cooler elements from being damaged. R600a is an environmentally friendly and

natural gas, but it is explosive. In the event of a leak due to damage of the cooler elements, move your fridge away from open flames or heat sources and ventilate the room where the appliance is located for a few minutes.

- While carrying and positioning the fridge, do not damage the cooler gas circuit.
- Do not store explosive substances such as aerosol cans with a flammable propellant in this appliance.
- This appliance is intended to be used in household and domestic applications such as:
  - staff kitchen areas in shops, offices and other working environments.
  - farm houses and by clients in hotels, motels and other residential type environments.
  - bed and breakfast type environments;
  - catering and similar non-retail applications.
- If the socket does not match the refrigerator plug, it must be replaced by the manufacturer, a service agent or similarly qualified persons in order to avoid a hazard.
- A specially grounded plug has been connected to the power cable of your refrigerator. This plug should be used with a specially grounded socket of 16 amperes. If there is no such socket in your house, please have one installed by an authorised electrician.

- This appliance can be used by children aged from 8 years and above and persons with reduced physical, sensory or mental capabilities or lack of experience and knowledge if they have been given supervision or instruction concerning use of the appliance in a safe way and understand the hazards involved. Children shall not play with the appliance. Cleaning and user maintenance shall not be made by children without supervision.
- Children aged from 3 to 8 years are allowed to load and unload refrigerating appliances. Children are not expected to perform cleaning or user maintenance of the appliance, very young children (0-3 years old) are not expected to use appliances, young children (3-8 years old) are not expected to use appliances safely unless continuous supervision is given, older children (8-14 years old) and vulnerable people can use appliances safely after they have been given appropriate supervision or instruction concerning use of the appliance. Very vulnerable people are not expected to use appliances safely unless continuous supervision is given.
- If the supply cord is damaged, it must be replaced by the manufacturer, an authorised service agent or similar qualified persons, in order to avoid a hazard.
- This appliance is not intended for use at altitudes exceeding 2000 m.

## **To avoid contamination of food, please respect the following instructions:**

- Opening the door for long periods can cause a significant increase of the temperature in the compartments of the appliance.
- Clean regularly surfaces that can come in contact with food and accessible drainage systems
- Store raw meat and fish in suitable containers in the refrigerator, so that it is not in contact with or drip onto other food.
- Two-star frozen-food compartments are suitable for storing pre-frozen food, storing or making ice cream and making ice cubes.
- One-, two- and three-star compartments are not suitable for the freezing of fresh food.
- If the refrigerating appliance is left empty for long periods, switch off, defrost, clean, dry, and leave the door open to prevent mould developing within the appliance.

## 1.2 Installation warnings

Before using your fridge freezer for the first time, please pay attention to the following points:

- The operating voltage for your fridge freezer is 220-240 V at 50Hz.
- The plug must be accessible after installation.
- Your fridge freezer may have an odour when it is operated for the first time. This is normal and the odour will fade when your fridge freezer starts to cool.
- Before connecting your fridge freezer, ensure that the information on the data plate (voltage and connected load) matches that of the mains electricity supply. If in doubt, consult a qualified electrician.
- Insert the plug into a socket with an efficient ground connection. If the socket has no ground contact or the plug does not match, we recommend you consult a qualified electrician for assistance.
- The appliance must be connected with a properly installed fused socket. The power supply (AC) and voltage at the operating point must match with the details on the name plate of the appliance (the name plate is located on the inside left of the appliance).
- We do not accept responsibility for any damages that occur due to ungrounded usage.
- Place your fridge freezer where it will not be exposed to direct sunlight.
- Your fridge freezer must never be used outdoors or exposed to rain.
- Your appliance must be at least 50 cm away from stoves, gas ovens and heater cores, and at least 5 cm away from electrical ovens.
- If your fridge freezer is placed next to a deep freezer, there must be at least 2 cm between them to prevent humidity forming on the outer surface.
- Do not cover the body or top of fridge freezer with lace. This will affect the

performance of your fridge freezer.

- Clearance of at least 150 mm is required at the top of your appliance. Do not place anything on top of your appliance.
- Do not place heavy items on the appliance.
- Clean the appliance thoroughly before use (see Cleaning and Maintenance).
- Before using your fridge freezer, wipe all parts with a solution of warm water and a teaspoon of sodium bicarbonate. Then, rinse with clean water and dry. Return all parts to the fridge freezer after cleaning.
- The installation procedure into a kitchen unit is given in the installation manual. This product is intended to be used in proper kitchen units only.

## 1.3 During Usage

- Do not connect your fridge freezer to the mains electricity supply using an extension lead.
- Do not use damaged, torn or old plugs.
- Do not pull, bend or damage the cord.
- Do not use plug adapter.
- This appliance is designed for use by adults. Do not allow children to play with the appliance or hang off the door.
- Never touch the power cord/plug with wet hands. This may cause a short circuit or electric shock.
- Do not place glass bottles or cans in the ice-making compartment as they will burst when the contents freeze.
- Do not place explosive or flammable material in your fridge. Place drinks with high alcohol content vertically in the fridge compartment and make sure their tops are tightly closed.
- When removing ice from the ice-making compartment, do not touch it. Ice may cause frost burns and/or cuts.
- Do not touch frozen goods with wet hands. Do not eat ice-cream or ice cubes immediately after they are removed from the ice-making compartment.
- Do not re-freeze thawed frozen food. This



may cause health issues such as food poisoning.

### Old and Out-of-order Fridges

- If your old fridge or freezer has a lock, break or remove the lock before discarding it, because children may get trapped inside it and may cause an accident.
- Old fridges and freezers contain isolation material and refrigerant with CFC. Therefore, take care not to harm environment when you are discarding your old fridges.

### CE Declaration of conformity

We declare that our products meet the applicable European Directives, Decisions and Regulations and the requirements listed in the standards referenced.

### Disposal of your old appliance

The symbol on the product or on its packaging indicates that this product may not be treated as household waste. Instead it shall be handed over to the applicable collection point for the recycling of electrical and electronic equipment. By ensuring this product is disposed of correctly, you will help prevent potential negative consequences for the environment and human health, which could otherwise be caused by inappropriate waste handling of this product. For more detailed information about recycling of this product, please contact your local city office, your household waste disposal service or the shop where you purchased the product.



### Packaging and the Environment

Packaging materials protect your machine from damage that may occur during transportation. The packaging materials are environmentally friendly as they are recyclable. The use of recycled material reduces raw material consumption and therefore decreases waste production.



### Notes:

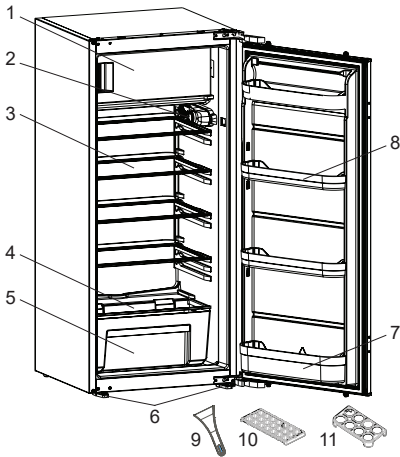
- Please read the instruction manual carefully before installing and using your


appliance. We are not responsible for the damage occurred due to misuse.

- Follow all instructions on your appliance and instruction manual, and keep this manual in a safe place to resolve the problems that may occur in the future.
- This appliance is produced to be used in homes and it can only be used in domestic environments and for the specified purposes. It is not suitable for commercial or common use. Such use will cause the guarantee of the appliance to be cancelled and our company will not be responsible for any losses incurred.
- This appliance is produced to be used in houses and it is only suitable for cooling / storing foods. It is not suitable for commercial or common use and/or for storing substances except for food. Our company is not responsible for any losses incurred by inappropriate usage of the appliance.

## 2 DESCRIPTION OF THE APPLIANCE

This appliance is not intended to be used as a built-in appliance.



 This presentation is only for information about the parts of the appliance. Parts may vary according to the appliance model.

- 1) Freezer compartment door
- 2) Thermostat box
- 3) Refrigerator shelves
- 4) Crisper cover
- 5) Crisper
- 6) Left & Right stays
- 7) Bottle shelf
- 8) Door shelves
- 9) Plastic ice scraper \*
- 10) Ice box tray
- 11) Egg holder

*\* In some models*

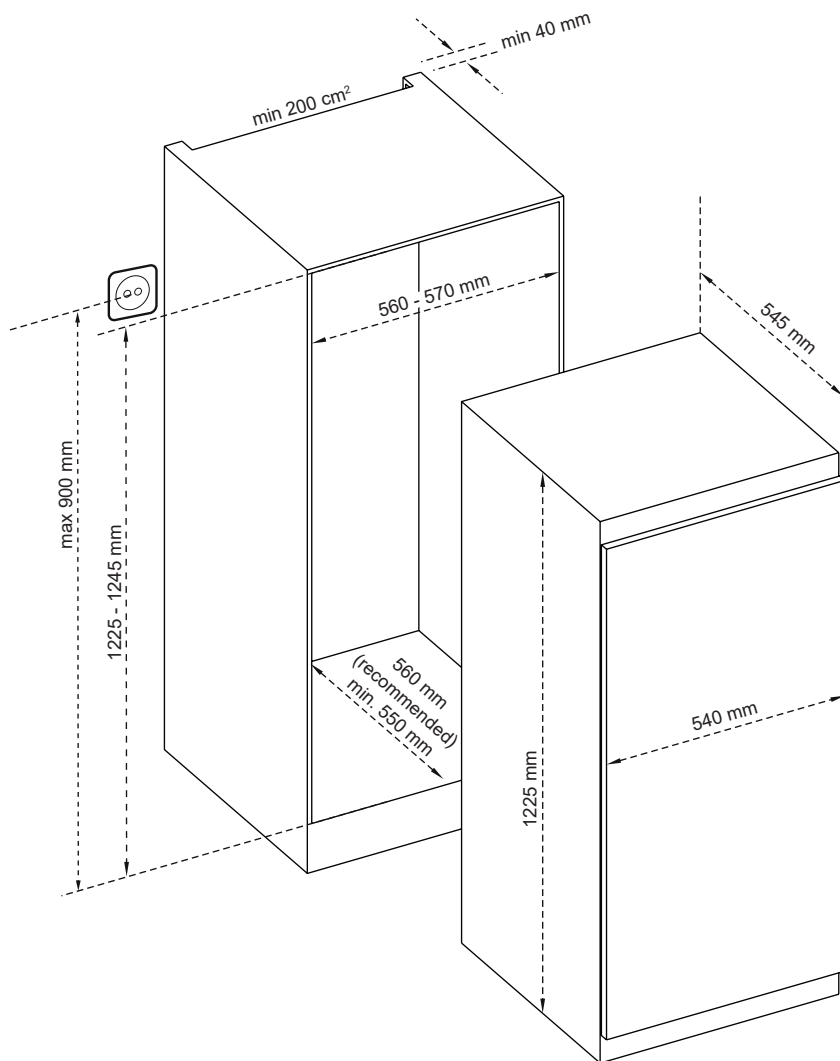
### General notes:

**Fresh Food Compartment (Fridge):** Most efficient use of energy is ensured in the configuration with the drawers in the bottom part of the appliance, and shelves evenly distributed, position of door bins does not affect energy consumption.

**Freezer Compartment (Freezer):** Most Efficient use of energy is ensured in the configuration with the drawers and bins are on stock position.

## 2.1 Dimensions

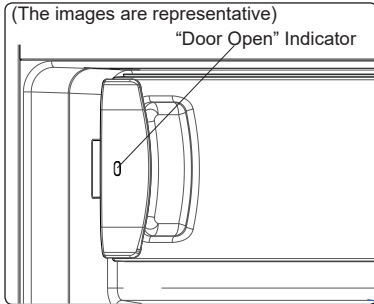
\* 1020 - 1028 for metal top cover




## 3 USING THE APPLIANCE

### “Door Open” Indicator;


The “Door Open” indicator on the handle shows whether the door has closed properly or whether it remains open. If the indicator is red, the door is still open. If the indicator is white, the door is properly closed.

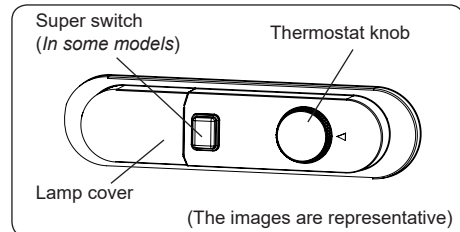


 The freezer door should always be kept closed. This will prevent food products from defrosting. Any heavy ice and frost build-up inside the freezer, and an unnecessary increase in energy consumption, will be avoided.

### 3.1 Thermostat Setting

The thermostat automatically regulates the temperature inside the cooler and freezer compartments. Refrigerator temperatures can be obtained by rotating the knob to higher numbers; 1 to 3, 1 to 5 or SF (Maximum numbers on the thermostat depends on your product.)

 **Important note:** Do not try to rotate the knob beyond position 1, it will stop your appliance from working.



### Thermostat settings:

**1 – 2 :** For short-term storage of food

**3 – 4 :** For long-term storage of food

**5 :** Maximum cooling position. The appliance will work longer. If required, change the temperature setting.

If device has SF position:

- Turn the knob to SF to freeze fresh food quickly. In this position, the freezer compartment will operate at lower temperatures. After your food freezes, turn the thermostat knob to its normal use position. If you do not change the SF position, your appliance work will automatically return to its last used thermostat position according to the time indicated in the note. Return the thermostat switch to the SF position and return it to normal use according to the time indicated in the note. If the thermostat switch is in the SF position when your appliance is first started, your appliance work will automatically return to the operation in the thermostat-3 position according to the time indicated in the note.

**Super freezing:** This switch shall be used as superfreeze switch. For maximum freezing capacity, please turn on this switch before 24 hours placing fresh food. After placing fresh food in the freezer, 24 hours ON position is generally sufficient. In order to save energy, please turn off this switch after 24 hours from placing fresh food.

**Winter Switch:** If ambient temperature is below 16 °C, this switch shall be used as winter switch and it keeps your fridge above 0 °C while freezer is below -18 °C in low ambients.

### 3.2 Temperature Settings Warnings

- Your appliance is designed to operate in the ambient temperature ranges stated in the standards, according to the climate class stated in the information label. It is not recommended that your fridge is operated in the environments which are outside of the stated temperature ranges. This will reduce the cooling efficiency of the appliance.
- Temperature adjustments should be

made according to the frequency of door openings, the quantity of food kept inside the appliance and the ambient temperature in the location of your appliance.

- When the appliance is first switched on, allow it to run for 24 hours in order to reach operating temperature. During this time, do not open the door and do not keep a large quantity of food inside.
- A 5 minute delay function is applied to prevent damage to the compressor of your appliance when connecting or disconnecting to mains, or when an energy breakdown occurs. Your appliance will begin to operate normally after 5 minutes.

### Climate class and meaning:

**T (tropical):** This refrigerating appliance is intended to be used at ambient temperatures ranging from 16 °C to 43 °C.

**ST (subtropical):** This refrigerating appliance is intended to be used at ambient temperatures ranging from 16 °C to 38 °C.

**N (temperate):** This refrigerating appliance is intended to be used at ambient temperatures ranging from 16 °C to 32 °C.

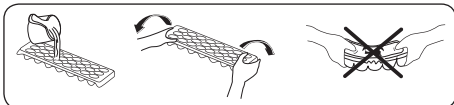
**SN (extended temperate):** This refrigerating appliance is intended to be used at ambient temperatures ranging from 10 °C to 32 °C.

### 3.3 Accessories

*Visual and text descriptions in the accessories section may vary according to the model of your appliance.*

#### 3.3.1 Ice Tray (In some models)

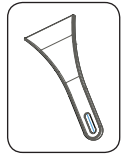
- Fill the ice tray with water and place in the freezer compartment.
- After the water has completely frozen, you can twist the tray as shown below to remove the ice cubes.



### 3.3.2 The Plastic Scraper

*(In some models)*

After some time, frost will build up in certain areas of the freezer. The frost accumulated in the freezer should be removed regularly. Use the plastic scraper provided, if necessary. Do not use sharp metal objects for this operation. They could puncture the refrigerator circuit and cause irreparable damage to the unit.



*Visual and text descriptions in the accessories section may vary according to the model of your appliance.*

## 4 FOOD STORAGE

### 4.1 Refrigerator Compartment

- To reduce humidity and avoid the consequent formation of frost, always store liquids in sealed containers in the refrigerator. Frost tends to concentrate in the coldest parts of the evaporating liquid and, in time, your appliance will require more frequent defrosting.
- Cooked dishes must remain covered when they are kept in the fridge. Do not place warm foods in fridge. Place them when they are cool, otherwise the temperature/humidity inside the fridge will increase, reducing the fridge's efficiency.
- Make sure no items are in direct contact with the rear wall of the appliance as frost will develop and packaging will stick to it. Do not open the refrigerator door frequently.
- We recommend that meat and clean fish are loosely wrapped and stored on the glass shelf just above the vegetable bin where the air is cooler, as this provides the best storage conditions.
- Store loose fruit and vegetable items in the crisper containers.
- Storing fruit and vegetables separately

helps prevent ethylene-sensitive vegetables (green leaves, broccoli, carrot, etc.) being affected by ethylene-releaser fruits (banana, peach, apricot, fig etc.).

- Do not put wet vegetables into the refrigerator.
- Storage time for all food products depends on the initial quality of the food and an uninterrupted refrigeration cycle before refrigerator storage.
- Water leaking from meat may contaminate other products in the refrigerator. You should package meat products and clean any leakages on the shelves.
- Do not put food in front of the air flow passage.
- Consume packaged foods before the recommended expiry date.

Do not allow food to come into contact with the temperature sensor, which is located in the refrigerator compartment, in order to keep the refrigerator compartment at optimum temperature.

- For normal working conditions, it will be sufficient to adjust the temperature setting of your refrigerator to +4 °C.
- The temperature of the fridge compartment should be in the range of 0-8 °C, fresh foods below 0 °C are iced and rotted, bacterial load increases above 8 °C, and spoils.
- Do not put hot food in the refrigerator immediately, wait for the temperature to pass outside. Hot foods increase the degree of your refrigerator and cause food poisoning and unnecessary spoiling of the food.
- Meat, fish, etc. should be store in the chiller compartment of the food, and the vegetable compartment is preferred for vegetables. (if available)
- To prevent cross contamination, meat products and fruit vegetables are not stored together.
- Foods should be placed in the refrigerator in closed containers or covered to prevent moisture and odors.

The table below is a quick guide to show you the most efficient way to store the major food groups in your refrigerator compartment.

Food	Maximum storage time	How and where to store
<b>Vegetables and fruits</b>	1 week	Vegetable bin
<b>Meat and fish</b>	2 - 3 days	Wrap in plastic foil, bags, or in a meat container and store on the glass shelf
<b>Fresh cheese</b>	3 - 4 days	On the designated door shelf
<b>Butter and margarine</b>	1 week	On the designated door shelf
<b>Bottled products e.g. milk and yoghurt</b>	Until the expiry date recommended by the producer	On the designated door shelf
<b>Eggs</b>	1 month	On the designated egg shelf
<b>Cooked food</b>	2 days	All shelves

**NOTE:**



Potatoes, onions and garlic should not be stored in the refrigerator.

**4.2 Freezer Compartment**

- The freezer is used for storing frozen food, freezing fresh food, and making ice cubes.
- Food in liquid form should be frozen in plastic cups and other food should be frozen in plastic folios or bags. For freezing fresh food; wrap and seal fresh food properly, that is the packaging should be air tight and shouldn't leak. Special freezer bags, aluminum foil polythene bags and plastic containers are ideal.
- Do not store fresh food next to frozen food as it can thaw the frozen food.
- Before freezing fresh food, divide it into portions that can be consumed in one sitting.
- Consume thawed frozen food within a


short period of time after defrosting

- Always follow the manufacturer's instructions on food packaging when storing frozen food. If no information is provided food, should not be stored for more than 3 months from the date of purchase.
- When purchasing frozen food, make sure that it has been stored under appropriate conditions and that the packaging is not damaged.
- Frozen food should be transported in appropriate containers and placed in the freezer as soon as possible.
- Do not purchase frozen food if the packaging shows signs of humidity and abnormal swelling. It is probable that it has been stored at an unsuitable temperature and that the contents have deteriorated.
- The storage life of frozen food depends on the room temperature, the thermostat setting, how often the door is opened, the type of food, and the length of time required to transport the product from the shop to your home. Always follow the instructions printed on the packaging and never exceed the maximum storage life indicated.
- If the freezer door has been left open for a long time or not closed properly, frost will form and can prevent efficient air circulation. To resolve this, unplug the freezer and wait for it to defrost. Clean the freezer once it has fully defrosted.
- The freezer volume stated on the label is the volume without baskets, covers, and so on.
- Do not refreeze thawed food. It may pose a danger to your health and cause problems such as food poisoning.

**NOTE:** If you attempt to open the freezer door immediately after closing it, you will find that it will not open easily. This is normal. Once equilibrium has been reached, the door will open easily.



The table below is a quick guide to show you the most efficient way to store the major food groups in your freezer compartment.

Meat and fish	Preparation		Maximum storage time (months)
Steak	Wrap in foil		6 - 8
Lamb meat	Wrap in foil		6 - 8
Veal roast	Wrap in foil		6 - 8
Veal cubes	In small pieces		6 - 8
Lamb cubes	In pieces		4 - 8
Minced meat	In packaging without using spices		1 - 3
Giblets (pieces)	In pieces		1 - 3
Bologna sausage/salami	Should be kept packaged even if it has a membrane		
Chicken and turkey	Wrap in foil		4 - 6
Goose and duck	Wrap in foil		4 - 6
Deer, rabbit, wild boar	In 2.5 kg portions or as filets		6 - 8
Freshwater fish (Salmon, Carp, Crane, Catfish)	After cleaning the bowels and scales of the fish, wash and dry it. If necessary, remove the tail and head.		2
Lean fish (Bass, Turbot, Flounder)			4
Fatty fishes (Tuna, Mackerel, Bluefish, Anchovy)			2 - 4
Shellfish	Clean and in a bag		4 - 6
Caviar	In its packaging, or in an aluminium or plastic container		2 - 3
Snails	In salty water, or in an aluminium or plastic container		3
 <b>NOTE:</b> Thawed frozen meat should be cooked as fresh meat. If the meat is not cooked after defrosting, it must not be re-frozen.			

Vegetables and Fruits	Preparation		Maximum storage time (months)
String beans and beans	Wash, cut into small pieces	and boil in water	10 - 13
Beans	Hull, wash and boil in water		12
Cabbage	Clean and boil in water		6 - 8
Carrot	Clean, cut into slices and	boil in water	12
Pepper	Cut the stem, cut into two pieces, remove the core and	boil in water	8 - 10
Spinach	Wash and boil in water		6 - 9
Cauliflower	Remove the leaves, cut the heart into pieces and	leave it in water with a little lemon juice for a while	10 - 12
Eggplant	Cut into pieces of 2cm after	washing	10 - 12
Corn	Clean and pack with its stem	or as sweet corn	12
Apple and pear	Peel and slice		8 - 10
Apricot and Peach	Cut into two pieces and remove the stone		4 - 6
Strawberry and Blackberry	Wash and hull		8 - 12



Vegetables and Fruits	Preparation	Maximum storage time (months)
Cooked fruits	Add 10 % of sugar to the container	12
Plum, cherry, sourberry	Wash and hull the stems	8 - 12

	Maximum storage time (months)	Thawing time at room temperature (hours)	Thawing time in oven (minutes)
Bread	4 - 6	2 - 3	4-5 (220-225 °C)
Biscuits	3 - 6	1 - 1,5	5-8 (190-200 °C)
Pastry	1 - 3	2 - 3	5-10 (200-225 °C)
Pie	1 - 1,5	3 - 4	5-8 (190-200 °C)
Phyllo dough	2 - 3	1 - 1,5	5-8 (190-200 °C)
Pizza	2 - 3	2 - 4	15-20 (200 °C)

Dairy products	Preparation	Maximum storage time (months)	Storage conditions
Packet (Homogenized) Milk	In its own packet	2 - 3	Pure Milk – in its own packet
Cheese - excluding white cheese	In slices	6 - 8	Original packaging may be used for short-term storage. Keep wrapped in foil for longer periods.
Butter, margarine	In its packaging	6	

## 5 CLEANING AND MAINTENANCE



Disconnect the unit from the power supply before cleaning.



Do not wash your appliance by pouring water on it.



Do not use abrasive products, detergents or soaps for cleaning the appliance. After washing, rinse with clean water and dry carefully. When you have finished cleaning, reconnect the plug to the mains supply with dry hands.

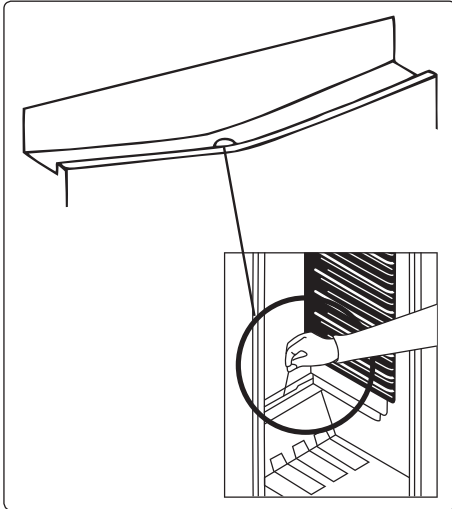
- Make sure that no water enters the lamp housing and other electrical components.
- The appliance should be cleaned regularly using a solution of bicarbonate of soda and lukewarm water.
- Clean the accessories separately by hand with soap and water. Do not wash accessories in a dish washer.
- Clean the condenser with a brush at least twice a year. This will help you to save on energy costs and increase productivity.



**The power supply must be disconnected during cleaning.**

## 5.1 Defrosting

### Defrosting the Refrigerator Compartment



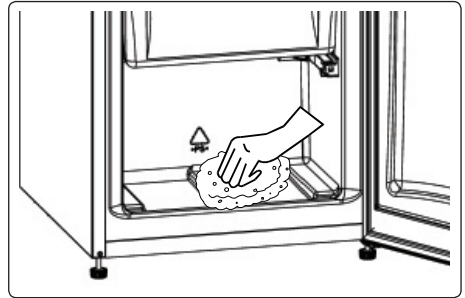
- Defrosting occurs automatically in the refrigerator compartment during operation. The water is collected by the evaporation tray and evaporates automatically.
- The evaporation tray and the water drain hole should be cleaned periodically with the defrost drain plug to prevent the water from collecting at the bottom of the refrigerator instead of flowing out.
- You can also clean the drain hole by pouring half a glass of water down it.

### Freezer defrosting process

- Small amounts of frost will accumulate inside the freezer, depending on the length of time the door may be left open or the amount of moisture introduced. It is essential to ensure that no frost or ice is allowed to form in places where it will affect the close fitting of the door seal. This might allow air to penetrate the cabinet, encouraging continuous running of the compressor. Thin frost formation is quite soft and can be removed with a brush or plastic scraper. Do not use metal

or sharp scrapers, mechanical devices or other means to accelerate the defrosting process. Remove all dislodged frost from the cabinet floor. It is not necessary to switch off the appliance for the removal of thin frost.

- For the removal of heavy ice deposits, disconnect the appliance from the mains supply, empty the contents into cardboard boxes and wrap in thick blankets or layers of paper to keep cool. Defrosting will be most effective if carried out when the freezer is nearly empty and should be carried out as quickly as possible to prevent an unnecessary increase in the temperature of the contents.
- Do not use metal or sharp scrapers, mechanical devices or other means to accelerate the defrosting process. An increase in temperature of frozen food during defrosting will shorten the storage life. Keep contents well wrapped and cool while defrosting is taking place.



- Dry the inside of the compartment with a sponge or a clean cloth.
- To accelerate the defrosting process, place one or more bowls of warm water in the freezer compartment.
- Examine the contents when replacing them in the freezer and if some of the packages have thawed out, they should be eaten within 24 hours, or be cooked and re-frozen.
- After defrosting is complete, clean the inside of the appliance with a solution of warm water and a little bicarbonate of soda, then dry thoroughly. Wash all

removable parts in the same way and reassemble. Reconnect the appliance to the mains supply and leave for 2 to 3 hours on setting number MAX before introducing the food back into the freezer.

### Replacing LED Lighting

To replace any of the LEDs, please contact the nearest Authorised Service Centre.



**Note:** The numbers and location of the LED strips may change according to the model.

## 6 SHIPMENT AND REPOSITIONING

### 6.1 Transportation and Changing Positioning

- The original packaging and foam may be kept for re-transportation (optional).
- Fasten your appliance with thick packaging, bands or strong cords and follow the instructions for transportation on the packaging.
- Remove all movable parts or fix them into the appliance against shocks using bands when re-positioning or transporting.



Always carry your appliance in the upright position.

## 7 BEFORE CALLING AFTER-SALES SERVICE

If you are experiencing a problem with your **appliance**, please check the following before contacting the after-sales service.

### Your appliance is not operating

#### Check if:

- There is power
- The plug is correctly placed in the socket
- The plug fuse or the mains fuse has blown
- The socket is defective. To check this, plug another working appliance into the same socket.

### The appliance performs poorly

#### Check if:

- The appliance is overloaded
- The appliance door is closed properly
- There is any dust on the condenser
- There is enough space near the rear and side walls.

### Your appliance is operating noisily

#### Normal noises

##### Cracking noise occurs:

- During automatic defrosting
- When the appliance is cooled or warmed (due to expansion of appliance material).

**Short cracking noise occurs:** When the thermostat switches the compressor on/off.

**Motor noise:** Indicates the compressor is operating normally. The compressor may cause more noise for a short time when it is first activated.

**Bubbling noise and splash occurs:** Due to the flow of the refrigerant in the tubes of the system.

**Water flowing noise occurs:** Due to water flowing to the evaporation container. This noise is normal during defrosting.

**Air blowing noise occurs:** In some models during normal operation of the system due to the circulation of air.

### The edges of the appliance in contact with the door joint are warm

Especially during summer (warm seasons), the surfaces in contact with the door joint may become warmer during the operation of the compressor, this is normal.

### There is a build-up of humidity inside the appliance

#### Check if:

- All food is packed properly. Containers must be dry before being placed in the **appliance**.
- The **appliance** door is opened frequently. Humidity of the room enters the **appliance** when the doors are opened. Humidity increases faster when the doors

are opened more frequently, especially if the humidity of the room is high.

**The door does not open or close properly**

**Check if:**

- There is food or packaging preventing the door from closing
- The door joints are broken or torn
- Your **appliance** is on a level surface.

**Recommendations**

- If the appliance is switched off or unplugged, wait at least 5 minutes before plugging the appliance in or restarting it in order to prevent damage to the compressor.
- If you will not use your appliance for a long time (e.g. in summer holidays) unplug it. Clean your appliance according to chapter cleaning and leave the door open to prevent humidity and smell.
- If a problem persists after you have followed all the above instructions, please consult the nearest authorised service centre.
- The appliance you have purchased is designed for domestic use only. It is not suitable for commercial or common use. If the consumer uses the appliance in a way that does not comply with this, we emphasise that the manufacturer and the dealer will not be responsible for any repair and failure within the guarantee period.

## 8 TIPS FOR SAVING ENERGY

1. Install the appliance in a cool, well-ventilated room, but not in direct sunlight and not near a heat source (such as a radiator or oven) otherwise an insulating plate should be used.
2. Allow warm food and drinks to cool before placing them inside the appliance.
3. Place thawing food in the refrigerator compartment if available. The low temperature of the frozen food will help cool the refrigerator compartment while the food is thawing. This will save energy. Frozen food left to thaw outside of the appliance will result in a waste of energy.
4. Drinks or other liquids should be covered when inside the appliance. If left uncovered, the humidity inside the appliance will increase, therefore the appliance uses more energy. Keeping drinks and other liquids covered helps preserve their smell and taste.
5. Avoid keeping the doors open for long periods and opening the doors too frequently as warm air will enter the appliance and cause the compressor to switch on unnecessarily often.
6. Keep the covers of the different temperature compartments (such as the crisper and chiller if available) closed.
7. The door gasket must be clean and pliable. In case of wear, replace the gasket.

## 9 TECHNICAL DATA

The technical information is situated in the rating plate on the internal side of the appliance and on the energy label.

The QR code on the energy label supplied with the appliance provides a web link to the information related to the performance of the appliance in the EU EPREL database.

Keep the energy label for reference together with the user manual and all other documents provided with this appliance.

It is also possible to find the same information in EPREL using the link <https://eprel.ec.europa.eu> and the model name and product number that you find on the rating plate, the appliance.

See the link [www.theenergylabel.eu](http://www.theenergylabel.eu) for detailed information about the energy label.

## 10 INFORMATION FOR TEST INSTITUTES

Appliance for any EcoDesign verification shall be compliant with EN 62552.

Ventilation requirements, recess dimensions and minimum rear clearances shall be as stated in this User Manual at Chapter 2. Please contact the manufacturer for any other further information, including loading plans.

## 11 CUSTOMER CARE AND SERVICE

Always use original spare parts.

When contacting our Authorised Service Centre, ensure that you have the following data available: Model, Serial Number and Service Index.

The information can be found on the rating plate. You can find the rating label inside the fridge zone on the left lower side.





The original spare parts for some specific components are available for a minimum of 7 or 10 years, based on the type of component, from the placing on the market of the last unit of the model.

Visit our website to:  
[www.klugecr.cz](http://www.klugecr.cz)

## Děkujeme, že jste si zakoupili tento produkt!

Tento návod k použití obsahuje důležité bezpečnostní informace a pokyny ke správné obsluze a údržbě Vašeho spotřebiče.

Přečtěte si prosím pozorně tento návod před tím, než začnete spotřebič používat, a uschovejte jej pro případné budoucí použití.

Ikona	Typ	Význam
	VAROVÁNÍ	Vážné riziko nebo smrtelné nebezpečí
	NEBEZPEČÍ ÚRAZU ELEKTRICKÝM PROUDEM	Riziko nebezpečného napětí
	POŽÁR	Varování; Riziko požáru / hořlavých materiálů
	UPOZORNĚNÍ	Riziko úrazu nebo škody na majetku
	DŮLEŽITÉ	Správné obsluhování systému

# OBSAH

<b>1 BEZPEČNOSTNÍ POKYNY .....</b>	<b>24</b>
1.1 Obecná bezpečnostní upozornění.....	24
1.2 Upozornění ohledně instalace .....	28
1.3 Během provozu .....	28
<b>2 POPIS SPOTŘEBIČE .....</b>	<b>30</b>
2.1 Rozměry .....	31
<b>3 POUŽÍVÁNÍ SPOTŘEBIČE .....</b>	<b>32</b>
3.1 Nastavení termostatu .....	32
3.2 Upozornění při nastavení teploty.....	32
3.3 Příslušenství .....	33
3.3.1 Zásobník na led ( <i>u některých modelů</i> ).....	<b>33</b>
3.3.2 Plastová škrabka ( <i>u některých modelů</i> ).....	<b>33</b>
<b>4 SKLADOVÁNÍ POTRAVIN .....</b>	<b>33</b>
4.1 Chladicí prostor .....	33
4.2 Mrazicí prostor.....	34
<b>5 ČIŠTĚNÍ A ÚDRŽBA .....</b>	<b>38</b>
5.1 Odmrazování .....	38
<b>6 DOPRAVA A PŘEMÍSTĚNÍ.....</b>	<b>39</b>
6.1 Přeprava a přemístění .....	39
<b>7 NEŽ SE OBRÁTÍTE NA POPRODEJNÍ SERVIS .....</b>	<b>39</b>
<b>8 TIPY PRO ÚSPORU ENERGIE.....</b>	<b>41</b>
<b>9 TECHNICKÉ ÚDAJE.....</b>	<b>41</b>
<b>10 INFORMACE PRO ZKUŠEBNÍ INSTITUTY .....</b>	<b>41</b>
<b>11 PÉČE O ZÁKAZNÍKY A SERVIS .....</b>	<b>42</b>

# 1 BEZPEČNOSTNÍ POKYNY

## 1.1 Obecná bezpečnostní upozornění

**Pozorně si přečtete tento návod k použití.**

**! VAROVÁNÍ:** Neblokujte ventilační otvory na krytu ani konstrukci spotřebiče.

**! VAROVÁNÍ:** Nepoužívejte mechanické nástroje nebo jiné prostředky k urychlení procesu odmrazení s výjimkou těch, které doporučuje výrobce.

**! VAROVÁNÍ:** V prostoru pro skladování potravin nepoužívejte elektrické spotřebiče, s výjimkou těch, které doporučuje výrobce.

**! VAROVÁNÍ:** Nepoškodte chladicí okruh.

**! VAROVÁNÍ:** Po instalaci spotřebiče se ujistěte, že nedošlo k zauzlování nebo poškození napájecího kabelu.

**! VAROVÁNÍ:** Neumísťujte žádné vícenásobné rozbočovací zásuvky ani přenosné zdroje napájení na zadní část spotřebiče.

**! VAROVÁNÍ:** Abyste předešli nebezpečí z důvodu nestability spotřebiče, je třeba jej upevnit v souladu s pokyny.

**⚠** Pokud vaše chladnička používá jako chladivo R600a (bude to vyznačeno na štítku na chladničce) musíte si dát pozor během přepravy a instalace, aby nedošlo k poškození chladicích prvků spotřebiče. I když je R600a ekologický a přírodní plyn, je výbušný. Pokud dojde k velkému úniku z důvodu poškození



chladicích prvků, přemístěte chladničku dále od otevřeného ohně nebo zdrojů tepla a místnost, v níž se spotřebič nachází, několik minut větrejte.

- Během přenášení a umísťování chladničky dejte pozor, abyste nepoškodili chladicí okruh.
- Neskladujte v chladničce výbušné substance, např. plechovky s aerosolem, neboť ty mohou v tomto spotřebiči způsobit vznik požáru.
- Tento spotřebič je určený k použití v domácnosti a podobných zařízeních, např.:
  - kuchyňky pro zaměstnance v obchodech, kancelářích a ostatních pracovních prostředích.
  - pro klienty v hotelech, motelech a ostatních obytných prostorech.
  - pro klienty v penzionech;
  - pro catering a ostatní podobná prostředí.
- Pokud zásuvka neodpovídá zástrčce chladničky, musí ji vyměnit výrobce, jeho servisní technik nebo obdobně kvalifikované osoby, aby se tak předešlo nebezpečí.
- Speciálně uzemněná zástrčka byla připojena k napájecímu kabelu Vaší chladničky. Tato zástrčka musí být použita se speciálně uzemněnou zásuvkou s 16 ampéry. Nemáte-li doma takovou zásuvku, nechte ji nainstalovat autorizovaným elektrikářem.
- Tento spotřebič mohou používat děti starší 8 let a osoby s omezenými tělesnými, smyslovými nebo mentálními schopnostmi anebo osoby bez

příslušných znalostí a zkušeností, pokud jsou pod dozorem nebo byly poučeny o bezpečném užívání tohoto spotřebiče a chápou související nebezpečí. Děti si nesmí se spotřebičem hrát. Čištění a údržba nesmí být prováděny dětmi bez dohledu dospělé osoby.

- Děti ve věku od 3 do 8 let smí vkládat potraviny a nápoje do spotřebiče i je z něj vyjímat. Děti nesmí provádět údržbu nebo čištění spotřebiče, velmi malé děti (0 – 3 let) nesmí používat spotřebič, malé děti (3 – 8 let) nesmí používat spotřebič, pokud jsou bez stálého dozoru, starší děti (8 – 14 let) a lidé s omezenými fyzickými nebo duševními schopnostmi mohou používat spotřebič bezpečně, pokud jsou pod dozorem nebo byli o bezpečném použití spotřebiče náležitě instruováni. Lidé s omezenými schopnostmi nesmí používat spotřebič, pokud nejsou pod stálým dozorem.
- Pokud je poškozený napájecí kabel, musí jej vyměnit výrobce, jeho servisní středisko nebo osoby podobně kvalifikované, aby se předešlo riziku.
- Tento spotřebič není určen k použití v nadmořských výškách nad 2000 m.

## **Aby nedošlo ke kontaminaci jídla, dodržujte prosím následující pokyny:**

- Ponechání dvířek v otevřeném stavu po dlouhou dobu může způsobit výrazný nárůst teploty uvnitř spotřebiče.
- Pravidelně čistěte povrchy, které přichází do styku s jídlem, a také přístupné odtokové systémy.
- Syrové maso a ryby uchovávejte v chladničce ve vhodných kontejnerech, aby nedocházelo k jejich kontaktu s jinými potravinami nebo ukápnutí na ně.
- Oddělení pro mražené potraviny označená dvěma hvězdičkami jsou vhodná pro uchovávání předem zmražených potravin, uchovávání nebo výrobu zmrzliny a výrobu ledových kostek.
- Oddělení označená jednou, dvěma nebo třemi hvězdičkami nejsou vhodná pro zmrazení čerstvého jídla.
- Pokud bude chladnička ponechána po dlouhou dobu prázdná, je nutné ji vypnout, rozmrazit, vyčistit, vysušit a ponechat dvířka otevřená, abyste zabránili tvorbě plísní uvnitř spotřebiče.

### **1.2 Upozornění ohledně instalace**

Před prvním použitím kombinované chladničky věnujte pozornost následujícím bodům:

- Provozní napětí kombinované chladničky je 220 - 240 V při 50 Hz.
- Zástrčka musí být po instalaci snadno dostupná.
- Při prvním uvedení kombinované chladničky kombinované chladničky do provozu se může objevit zápach. To je normální a zápach začne mizet, jakmile se kombinovaná chladnička začne ochlazovat.
- Před připojením kombinované chladničky se ujistěte, že údaje na výrobním štítku (napětí a připojená zátěž) odpovídají údajům o napájení ze sítě. V případě pochybností se obraťte na kvalifikovaného elektrikáře.
- Zástrčku zapojte do zásuvky s účinným uzemněním. Není-li zásuvka uzemněna, nebo pokud zástrčka nepasuje, doporučujeme, abyste o pomoc požádali autorizovaného elektrikáře.
- Spotřebič musí být zapojen do řádně instalované zásuvky s pojistkou. Napájení (AC) a napětí musí odpovídat údajům na výrobním štítku spotřebiče (výrobní štítek se nachází v levé vnitřní části spotřebiče).
- Neneseme zodpovědnost za škody, k nimž může dojít z důvodu neuzemněného použití.
- Kombinovaná chladnička umístěte na místo, kde nebude vystavena přímému slunečnímu světlu.
- Kombinovanou chladničku se nesmí nikdy používat venku nebo být vystavena dešti.
- Chladnička musí být umístěna minimálně 50 cm od trouby, plynové trouby nebo hořáků a musí být minimálně 5 cm od elektrické trouby.
- Když je kombinovaná chladnička umístěna blízko samostatné mrazničky, musí být mezi nimi vzdálenost minimálně 2 cm, aby se předešlo vzniku vlhkosti na vnějším povrchu.

- Kryt ani horní část kombinované chladničky nezakrývejte pokrývkou. Negativně by to ovlivnilo výkon spotřebiče.
- Požaduje se minimálně 150 mm volného prostoru nad vrchní částí spotřebiče. Na vrchní část spotřebiče nic nepokládejte.
- Na spotřebič nestavte těžké předměty.
- Spotřebič před použitím důkladně vyčistěte (viz Čištění a Údržba).
- Před uvedením kombinované chladničky do provozu otřete všechny části roztokem teplé vody a lžičky hydrogenuhličitanu sodného. Poté opláchněte čistou vodou a osušte. Po vyčištění všechny díly vraťte do chladničky s mrazničkou.
- Postup montáže do kuchyňské linky je uveden v návodu k instalaci. Tento produkt je určen k použití pouze ve správných kuchyňských linkách.

### 1.3 Během provozu

- Nepřipojujte chladničku k elektrické síti pomocí prodlužovacího kabelu.
- Nezapojujte do poškozených, opotřebených nebo starých zásuvek.
- Netahejte za kabel, nelámejte jej ani jej nepoškozujte.
- Nepoužívejte rozbočovače.
- Tento spotřebič je určen k použití dospělými osobami. Nedovolte dětem hrát si se spotřebičem ani se věšet na dvířka.
- Nikdy se nedotýkejte napájecího kabelu / zástrčky mokryma rukama. Může to způsobit zkrat nebo úraz elektrickým proudem.
- Nedávejte do oddělení na výrobu ledu skleněné lahve ani plechovky, protože by po zmrazení obsahu praskly.
- Nevkládejte do chladničky hořlavé nebo výbušné materiály. Nápoje s vysokým obsahem alkoholu umístěte svisle do chladicího oddílu a ujistěte se, že jsou jejich víčka pevně uzavřená.
- Při odebírání ledu z oddělení na výrobu ledu se jej nedotýkejte. Led může způsobit popáleniny nebo řezné rány.

- Nedotýkejte se zmražených výrobků mokřýma rukama. Nejezte zmrzlinu ani kostky ledu bezprostředně po jejich vyjmutí z oddělení na výrobu ledu.
- Rozmrazené potraviny znovu nezmrazujte. Mohlo by to způsobit zdravotní problémy, např. otravu jídlem.

### Staré a nefunkční chladničky

- Má-li Vaše stará chladnička nebo mraznička zámek, odstraňte jej před kvidací, neboť děti by se mohly ve spotřebiči zavřít a mohlo by dojít k nehodě.
- Staré chladničky a mrazničky obsahují izolační materiál a chladivo s CFC. Při likvidaci starých chladniček proto dávejte pozor, abyste nepoškodili životní prostředí.

### Prohlášení o shodě (CE)

Prohlašujeme, že naše výrobky splňují příslušné evropské směrnice, rozhodnutí a nařízení a požadavky uvedené v odkazovaných normách.

### Likvidace vysloužilého spotřebiče

Tento symbol uvedený na výrobku nebo na jeho obalu znamená, že s daným výrobkem nelze zacházet jako s běžným domácím odpadem. Místo toho musí být odevzdán na příslušném sběrném místě pro recyklaci elektrických a elektronických zařízení. Zajištěním správné likvidace tohoto výrobku pomůžete zabránit případným negativním dopadům na životní prostředí a lidské zdraví, které by jinak byly způsobeny nevhodnou likvidací výrobku. Podrobnější informace o recyklaci tohoto produktu získáte na Vašem místním úřadě, ve společnosti zajišťující likvidaci odpadu nebo v obchodě, ve kterém jste produkt zakoupili.



### Obaly a životní prostředí

Obalové materiály chrání Váš spotřebič před poškozením, které může nastat během přepravy. Obalové materiály jsou šetrné k životnímu prostředí, protože jsou recyklovatelné. Použití recyklovaného



materiálu snižuje spotřebu surovin, a proto snižuje produkci odpadu.

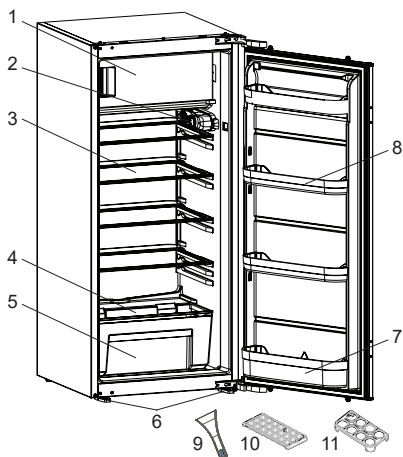
### Poznámky:


- Před instalací a použitím Vašeho spotřebiče si pečlivě přečtete návod k použití. Nezodpovídáme za škody způsobené špatným použitím.
- Řiďte se všemi pokyny na Vašem spotřebiči a v návodu k použití a tento návod uchovávejte na bezpečném místě, abyste mohli vyřešit problémy, k nimž může dojít v budoucnosti.
- Tento spotřebič je určen pro použití v domácnostech a lze jej použít pouze doma a pro specifikované účely. Nehodí se pro komerční použití. Na takové použití se nevztahuje záruka a naše společnost neponese odpovědnost za případné ztráty.
- Tento spotřebič je určen k použití v domácnostech a musí být použit pouze pro chlazení / skladování potravin. Není vhodný pro komerční nebo společné používání a/nebo pro skladování látek s výjimkou potravin. Naše společnost není odpovědná za jakékoli ztráty vzniklé

nevhodným používáním spotřebiče.

## 2 POPIS SPOTŘEBIČE

Tento spotřebič není určen k použití jako vestavěné zařízení.



 Toto vyobrazení je pouze informativní a týká se součástí spotřebiče. Součásti se mohou lišit podle modelu spotřebiče.

- 1) Dvířka mrazicího prostoru
- 2) Skříň termostatu
- 3) Poličky v chladicím prostoru
- 4) Krypt zásuvky na ovoce a zeleninu
- 5) Zásuvka na ovoce a zeleninu (crisper)
- 6) Levá a pravá nožička
- 7) Přihrádka na lahve
- 8) Přihrádky na dvířkách
- 9) Plastová škrabka na led \*
- 10) Zásobník na led
- 11) Držák na vejce

*\* u některých modelů*

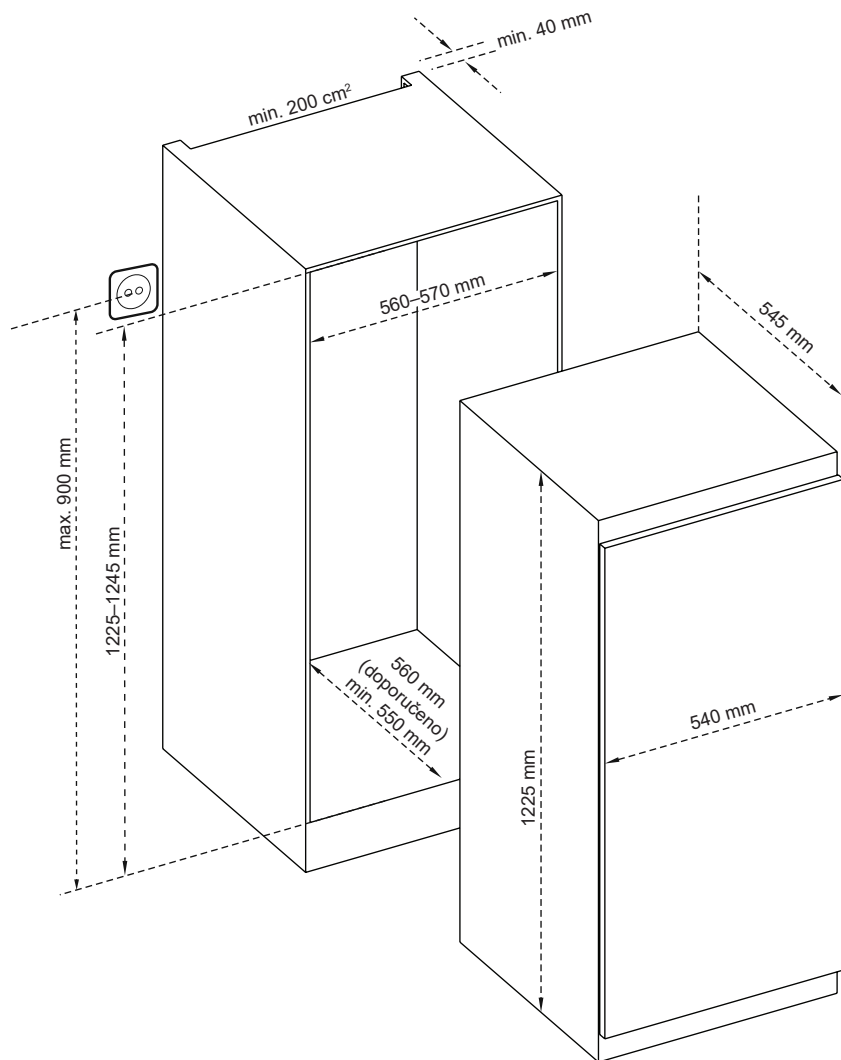
### Obecné poznámky:

Oddělení pro čerstvé potraviny (chladicí prostor): Nejeftektivnější využití energie je zajištěno při umístění zásuvek ve spodní části chladicího prostoru a rovnoměrném umístění polic, zatímco pozice přihrádek na dvířkách chladničky spotřebu energie neovlivňuje.

**Oddělení pro zmrazené potraviny (mrazicí prostor):** Neúčinnější využití energie je zajištěno v konfiguraci se zásuvkami a zásobníky ve skladové pozici.

## 2.1 Rozměry

\* 1020–1028 pro kovový horní kryt



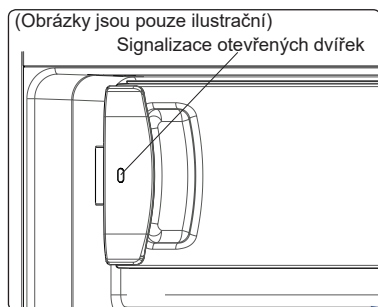
## 3 POUŽÍVÁNÍ SPOTŘEBIČE


### Signalizace otevřených dvířek:

Signalizace otevřených dvířek na madlu ukazuje, zda se dvířka správně zavřela nebo zda zůstala otevřená.

Pokud kontrolka svítí červeně, jsou dvířka stále otevřená.


Pokud je kontrolka bílá, dvířka se zavřela správně.

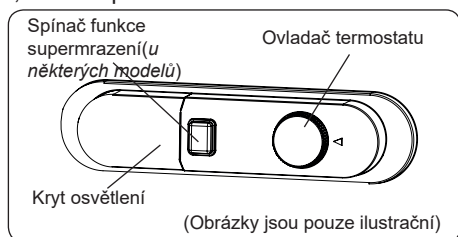


 Dvířka mrazicího prostoru by měla být vždy zavřené. Tím se zabrání rozmrazování potravin. A zabráníte tak jakémukoli hromadění ledu a námrazy uvnitř mrazicího prostoru a zbytečnému zvyšování spotřeby energie.

### 3.1 Nastavení termostatu

Termostat automaticky reguluje teplotu v chladicím a mrazicím prostoru. Teplotu v chladničce lze nastavit otočením ovladače termostatu na vyšší hodnoty: 1 na 3, 1 na 5 nebo SF (maximální počet hodnot na termostatu závisí na Vašem produktu.)

 **Důležitá poznámka:** Nepokoušejte se otáčet ovladačem termostatu za pozici 1, tím se spotřebič zastaví.



### Nastavení termostatu:

**1–2:** Pro krátkodobé skladování potravin

**3–4:** Pro dlouhodobé skladování potravin

**5:** Maximální pozice chlazení. Spotřebič bude pracovat déle. V případě potřeby změňte nastavení teploty.

Pokud má spotřebič funkci SF:

- Pro rychlé zmrazení čerstvých potravin nastavte spínač na SF. V této pozici bude v mrazicím prostoru nejnižší teplota. Po zmrazení potravin nastavte spínač do obvyčejné polohy. Pokud tak neuděláte, Váš spotřebič se automaticky vrátí k poslední použité poloze termostatu po uplynutí času uvedeného v poznámce. Znovu nastavte spínač termostatu do polohy SF a poté jej vraťte zpět do obvyčejné polohy po uplynutí času uvedeného v poznámce. Pokud je spínač termostatu v poloze SF při prvním spuštění spotřebiče, spotřebič se automaticky vrátí do provozu v poloze termostatu 3 po uplynutí času uvedeného v poznámce.

**Supermrazení:** Tento spínač se používá pro funkci supermrazení. Pro maximální kapacitu mrazení prosím tento spínač zapněte 24 hodin před vložením čerstvých potravin. Po vložení čerstvých potravin do mrazicího prostoru obecně stačí, když spínač necháte v pozici ZAP. po dobu 24 hodin. Chcete-li šetřit energii, vypněte tento spínač po 24 hodinách od vložení čerstvých potravin.

**Spínač pro provoz v zimě:** Pokud okolní teplota klesne pod 16 °C, použijte tento spínač pro provoz v zimě. Udržuje chladicí prostor nad 0 °C a mrazicí prostor pod -18 °C při nízkých okolních teplotách.

### 3.2 Upozornění při nastavení teploty

- Vaše chladnička je navržena tak, aby pracovala v intervalech uvedených ve standardech, v souladu s třídou uvedenou na informačním štítku. Nedoporučuje se, abyste chladničku spouštěli v prostředí mimo uvedené teplotní intervaly. To by ovlivnilo účinnost chlazení.
- Nastavení teploty musí být provedeno v souladu s frekvencí otevírání dvířek, množstvím potravin uložených v



chladničky a okolní teplotou.

- Při prvním zapnutí nechte chladničku běžet 24 hodin, aby dosáhla provozní teploty. Během této doby neotvírejte dvířka a neskladujte uvnitř velké množství potravin.
- Funkce 5minutového zpoždění je aktivní, aby se zabránilo poškození kompresoru Vašeho spotřebiče při připojování nebo odpojování od sítě nebo při výpadku energie. Vaše chladnička začne fungovat normálně po 5 minutách.

### Klimatická třída a význam:

**T (tropická):** Tato chladnička je určena k použití při okolní teplotě od 16 °C do 43 °C.

**ST (subtropická):** Tato chladnička je určena k použití při okolní teplotě od 16 °C do 38 °C.

**N (normální):** Tato chladnička je určena k použití při okolní teplotě od 16 °C do 32 °C.

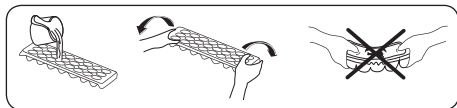
**SN (subnormální):** Tato chladnička je určena k použití při okolní teplotě od 10 °C do 32 °C.

### 3.3 Příslušenství

**Vizuální a textové popisy na části s příslušenstvím se mohou lišit podle modelu Vašeho spotřebiče.**

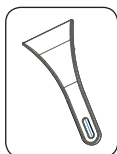
#### 3.3.1 Zásobník na led (u některých modelů)

- Naplňte formu na led vodou a vložte ji do mrazicího prostoru.
- Poté, co se voda zcela změní na led, můžete kostky ledu vyjmout z formy podle následujícího obrázku.



#### 3.3.2 Plastová škrabka (u některých modelů)

Po určité době se na určitých místech vytvoří námraza. Námraza, která se hromadí v mrazicím prostoru, se musí pravidelně odstraňovat. Je-li to nezbytné, použijte plastovou škrabku. K této činnosti nepoužívejte ostré



kovové předměty. Mohly by prorazit okruh chladničky a způsobit nevratné poškození spotřebiče.

**Vizuální a textové popisy na části s příslušenstvím se mohou lišit podle modelu vašeho spotřebiče.**

## 4 SKLADOVÁNÍ POTRAVIN

### 4.1 Chladnička

- Abyste snížili vlhkost a následnou tvorbu námrazy, nikdy neumísťujte kapaliny do neutěsněných nádob. Námraza má tendenci hromadit se v nejchladnějších částech výparníku a proto je třeba provádět častější odmrazování.
- Vařené pokrmy musí zůstat zakryté, když jsou uloženy v lednici. Do chladničky nevkládějte teplá jídla. Vložte je do chladničky, až když vychladnou, v opačném případě se zvýší teplota / vlhkost uvnitř chladničky, čímž se sníží její účinnost.
- Zajistěte, aby žádné předměty nebyly v přímém kontaktu se zadní stěnou spotřebiče, protože by se mohla vytvářet námraza a obal by se přilepil na stěnu. Dveře chladničky příliš často neotvírejte.
- Doporučujeme, aby maso a ryby byly volně zabaleny a uloženy na skleněné polici těsně nad zásuvkou na zeleninu, kde je chladnější vzduch, protože to zajišťuje nejlepší podmínky skladování.
- Ovoce a zeleninu uchovávejte v crisperu (zásuvka na ovoce a zeleninu).
- Skladování ovoce a zeleniny odděleně pomáhá tomu, aby zelenina citlivá na etylén (listová zelenina, brokolice, mrkev, atd.) nebyla ovlivněna ovocem, které etylén uvolňuje (banány, broskve, meruňky, fíky atd.).
- Do chladničky nesmíte vkládat vlhkou zeleninu.
- Délka skladování všech potravin závisí na počáteční kvalitě potravin a nepřerušovaném chladícím cyklu před

skladováním v chladničce.

- Voda vytékající z masa může kontaminovat jiné produkty v chladničce. Maso musíte zabalit a jakoukoli kontaminaci odstranit.
- Potraviny nekládejte před otvory pro proudění vzduchu.
- Balené potraviny spotřebujte před doporučeným datem expirace.

Dbejte na to, aby potraviny nepřišly do styku se snímačem teploty, který je umístěn v chladicím prostoru za účelem udržování optimální teploty.

- Za normálních pracovních podmínek postačí nastavit teplotu v chladicím prostoru na +4 °C.
- Teplota chladicího prostoru by měla být v rozmezí 0 - 8 °C, čerstvé potraviny jsou při teplotě pod 0 °C ledové a hnijí a při teplotě nad 8 °C se zvyšuje množství bakterií a potraviny se kazí.
- Nekládejte do chladničky horká jídla, nechte je zchladnout na pokojovou teplotu. Horká jídla zvyšují teplotu chladničky a mohou způsobit otravu jídlem nebo zbytečné zkažení potravin.
- Maso, ryby a podobné potraviny by měly být skladovány na polici nad přihrádkou na ovoce a zeleninu a zelenina v přihrádce na zeleninu (pokud je k dispozici).
- Aby se zabránilo křížové kontaminaci, neuchovávejte masné výrobky s ovocem a zeleninou.
- Potraviny v chladničce mají být uchovávány v uzavřených nádobách nebo v jiných vhodných obalech tak, aby do chladničky neuvolňovaly pachy a vlhkost.

Níže uvedená tabulka slouží jako stručný průvodce, který vám ukáže nejúčinnější způsob, jak uložit hlavní skupiny potravin do chladničky.

Potraviny	Maximální délka skladování	Jak a kde ukládat
Ovoce a zelenina	1 týden	Zásuvka na zeleninu

Potraviny	Maximální délka skladování	Jak a kde ukládat
Maso a ryby	2 - 3 dny	Zabalte do plastové fólie, sáčků nebo do vložte nádoby na maso a uložte na skleněnou polici
Čerstvý sýr	3 - 4 dny	Na určenou polici ve dvířkách
Máslo a margarín	1 týden	Na určenou polici ve dvířkách
Produkty v lahvičích, například mléko a jogurt	Do expirace doporučené výrobcem	Na určenou polici ve dvířkách
Vejce	1 měsíc	Na polici určené pro vejce
Vařené potraviny	2 dny	Všechny police

#### POZNÁMKA:



Brambory, cibule a česnek se v chladničce nesmí skladovat.

#### 4.2 Mrazicí prostor

- Mrazicí prostor se používá pro skladování mražených potravin, zmrazování čerstvých potravin a výrobu kostek ledu.
- Potraviny v tekuté formě by měly být zmrazeny v plastových kelímcích a jiné potraviny by měly být zmrazeny v plastových fóliích nebo sáčcích. Zabalte a řádně utěsněte čerstvé potraviny, to znamená, že obal by měl být vzduchotěsný a neměl by prosakovat. Ideální jsou speciální sáčky do mrazničky, alobal, polyetylenové sáčky a plastové nádoby.
- Čerstvé potraviny nekládejte do blízkosti zmražených potravin, neboť by mohlo dojít k rozmrazení potravin.
- Před zmrazením čerstvých potravin je rozdělte na porce, které lze najednou spotřebovat.
- Potraviny po rozmrazení spotřebujte během krátké doby.
- Při skladování mražených potravin vždy dodržujte pokyny výrobce na obalu. Nejsou-li uvedeny žádné informace,

potravin nesmí být skladovány déle než 3 měsíce od data nákupu.

- Když koupíte zmrazené potraviny, zkontrolujte, zda byly zmrazeny při vhodných podmínkách a obal není poškozený.
- Zmrazené potraviny by měly být přepravovány ve vhodných nádobách a umístěny co nejdříve do mrazničky.
- Nekupujte mražené potraviny, pokud obal vykazuje známky vlhkosti nebo neobvyklé nafouknutí. Je pravděpodobné, že byly skladovány při nevhodné teplotě a stav obsahu se zhoršil.
- Délka skladování mražených potravin závisí na pokojové teplotě, nastavení termostatu, na tom, jak často se dvířka otevírají, jaký typ potravin to je a jaká je doba nutná pro přepravu výrobku z obchodu k Vám domů. Vždy dodržujte pokyny na obalu a nikdy nepřekračujte maximální uvedenou délku skladování.
- Pokud zůstanou dvířka mrazicího prostoru delší dobu otevřená nebo nejsou správně zavřená, vytvoří se námraza, která může bránit účinné cirkulaci vzduchu. Chcete-li problém vyřešit, odpojte mrazničku a počkejte, až se odmrazí. Po úplném odmrazení mrazničku vyčistěte.
- Objem mrazicího prostoru uvedený na štítku nezahrnuje zásuvky, kryty atd.
- Rozmrazené potraviny znovu nezmrazujte. Mohlo by vám to způsobit zdravotní problémy, např. otravu jídlem.

**POZNÁMKA:** Pokud se pokusíte otevřít dvířka mrazicího prostoru ihned po jejich zavření, zjistíte, že se snadno neotevřou. To je normální. Jakmile je dosaženo rovnováhy, dvířka se snadno otevřou.



Níže uvedená tabulka slouží jako stručný průvodce, který Vám ukáže nejúčinnější způsob, jak uložit hlavní skupiny potravin do mrazicího prostoru.

Maso a ryby	Příprava	Maximální délka skladování (měsíce)
Steak	Zabalte do fólie	6–8
Jehněčí maso	Zabalte do fólie	6–8
Telecí pečeně	Zabalte do fólie	6–8
Telecí kostky	Na malé kousky	6–8
Jehněčí kostky	Kousky	4–8
Mleté maso	V balíčcích, bez koření	1–3
Droby (kousky)	Kousky	1–3
Boloňský salám	Musí být zabalený, i když je v obalu	
Kuře a krůta	Zabalte do fólie	4–6
Husa a kachna	Zabalte do fólie	4–6
Jelen, zajíc, divoký kanec	V porcích po 2,5 kg nebo jako filety	6–8
Čerstvé ryby (losos, kapr, sumec)	Po očištění a vykuchání rybu opláchněte a osušte. Je-li třeba, odřízněte ocasní ploutev a hlavu.	2
Libové ryby (okoun, platýs, kambala)		4
Tučné ryby (tuňák, makrela, lufara, ančovičky)		2–4
Korýši	Očištěné a v sáčku	4–6
Kaviár	Ve vlastním obalu, nebo v hliníkové nebo plastové nádobě	2–3
Šneci	Ve slané vodě, nebo v hliníkové nebo plastové nádobě	3



**POZNÁMKA:** Maso by mělo být po rozmrazení tepelně upraveno.. Pokud se maso po rozmrazení tepelně neupraví, nesmí být znovu zmrazeno.


Zelenina a ovoce	Příprava	Maximální délka skladování (měsíce)
Fazolové lusky a fazole	Omyjte, nakrájejte na malé kousky a uvařte ve vodě	10–13
Fazole	Propláchněte a uvařte ve vodě	12
Zelí	Očistěte a uvařte ve vodě	6–8
Mrkev	Očistěte, nakrájejte na plátky a uvařte ve vodě	12
Paprika	Odstraňte stopku, rozřízněte na poloviny, vyjměte semínka a uvařte ve vodě	8–10
Špenát	Propláchněte a uvařte ve vodě	6–9
Květák	Odstraňte listy, květák nakrájejte na kousky, na chvíli ponořte do vody s několika kapkami citrónu	10–12
Lilek	Po omytí nakrájejte na 2 cm kousky	10–12
Kukuřice	Očistěte a zabalte jako klas nebo zrna	12
Jablko a hruška	Oloupejte a nakrájejte	8–10
Meruňka a broskev	Rozkrojte na poloviny a vyjměte pecku	4–6

Zelenina a ovoce	Příprava	Maximální délka skladování (měsíce)
Jahoda a borůvka	Omyjte a opláchněte	8–12
Vařené ovoce	Do nádoby přidejte 10 % cukru	12
Švestka, třešně, višně	Omyjte a očistěte	8–12


	Maximální délka skladování (měsíce)	Délka rozmrazování při pokojové teplotě (hodiny)	Délka rozmrazování v troubě (minuty)
Chléb	4–6	2–3	4–5 (220–225 °C)
Sušenky	3–6	1–1,5	5–8 (190–200 °C)
Pečivo	1–3	2–3	5–10 (200–225 °C)
Koláč	1–1,5	3–4	5–8 (190–200 °C)
Listové těsto	2–3	1–1,5	5–8 (190–200 °C)
Pizza	2–3	2–4	15–20 (200 °C)

Mléčné produkty	Příprava	Maximální délka skladování (měsíce)	Skladovací podmínky
Balené (homogenizované) mléko	Ve vlastním obalu	2–3	Čisté mléko – ve vlastním obalu
Sýr – kromě tvarohu	Na plátky	6–8	Pro krátkodobé skladování lze použít původní obal. Pro dlouhodobější skladování je třeba jej zabalit do fólie.
Máslo, margarín	Ve vlastním obalu	6	

## 5 ČIŠTĚNÍ A ÚDRŽBA

 Spotřebič před čištěním odpojte od napájení.

 Spotřebič nečistěte tekoucí vodou.

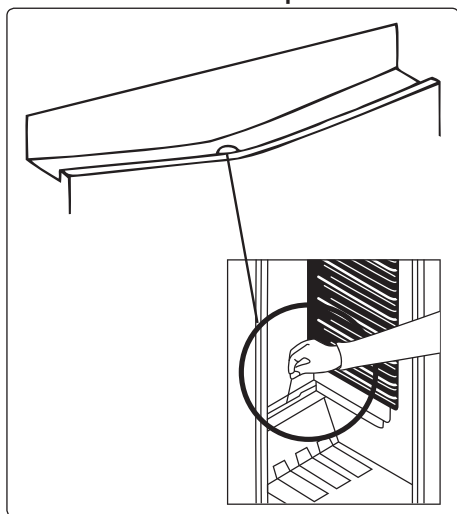
 K čištění spotřebiče nepoužívejte abrazivní prostředky, čisticí prostředky ani mýdla. Po umytí opláchněte čistou vodou a pečlivě vysušte. Po dokončení čištění znovu zapojte spotřebič do elektrické sítě suchýma rukama.

- Dbejte na to, aby mycí voda nevnikla do krytu žárovky a dalších elektrických součástí.
- Prostor spotřebiče je nutno pravidelně čistit pomocí roztoku jedlé sody a vlažné vody.
- Příslušenství čistěte samostatně v ruce mýdlem a vodou. Neumývejte příslušenství v myčce nádobí.
- Kondenzátor čistěte kartáčem nejméně dvakrát ročně. To Vám pomůže ušetřit náklady na energii a zvýšit produktivitu.

  **Během čištění musí být spotřebič odpojen od napájení.**

### 5.1 Odmrazování

#### Odmrazování chladicího prostoru



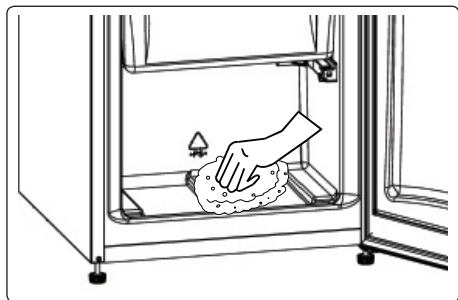
- Chladicí prostor se odmrazuje automaticky během provozu. Odmrazená

voda se shromažďuje Chladicí prostor odpařovací misce a automaticky se vypařuje.

- Odpařovací miska a otvor pro odtékání vody musí být čištěny pravidelně pomocí vhodného tenkého předmětu, např. špejle, aby se předešlo hromadění neodtékající vody ve spodní části chladničky.
- Otvor pro odtékání vody můžete také vyčistit tak, že do něj nalijete půl sklenice vody.

#### Proces odmrazování mrazicího prostoru

- Uvnitř mrazicího prostoru se nahromadí malé množství námrazy v závislosti na délce doby, kdy jsou dvířka otevřená, nebo kolik vlhkosti vnikne dovnitř. Je nutné zajistit, aby se led nikdy netvořil na místech, kde by narušoval těsnění na dvířkách. Mohlo by dojít k průniku vzduchu do prostoru a následnému neustálému chodu kompresoru. Tenká vrstva ledu je poměrně měkká a lze ji odstranit kartáčem nebo plastovou škrabkou. Nepoužívejte kovové nebo ostré škrabky, mechanická zařízení ani jiné prostředky k urychlení procesu odmrazování. Odstraňte veškerou uvolněnou námrazu ze stěn mrazicího prostoru. Pro odstranění tenké námrazy není nutno spotřebič vypínat.
- Pro odstranění silných vrstev ledu odpojte spotřebič od napájení a vyprázdněte obsah do kartonových krabic a zabalte do silných příkrývek nebo vrstev papíru, aby potraviny zůstaly v chladu. Odmrazování bude nejúčinnější, pokud je provádíte, když je mrazicí prostor téměř prázdný, je nutno je provést co nejrychleji, aby nedošlo k nežádoucímu nárůstu teploty obsahu.
- Nepoužívejte kovové nebo ostré škrabky, mechanická zařízení ani jiné prostředky na urychlení procesu odmrazování. Zvýšení teploty mražených potravin během odmrazování zkrátí dobu skladovatelnosti. Během odmrazování udržujte obsah dobře zabalený a v chladu.



- Vnitřní část vysušte houbičkou nebo čistým hadříkem.
- Chcete-li odmrazování urychlit, umístěte do mrazicího prostoru jednu či více nádob s vodou.
- Zkontrolujte obsah, když jej vkládáte zpět do mrazicího prostoru., pokud jsou některá balení rozmrazená, je nutno je spotřebovat do 24 hodin nebo tepelně upravit a znovu zmrazit.
- Po odmražení vyčistěte vnitřek spotřebiče roztokem teplé vody s trochou jedlé sody a pak důkladně vysušte. Veškeré odnímatelné části umyjte stejným způsobem a znovu namontujte. Znovu připojte spotřebič k napájení a nechte 2 až 3 hodiny na nastavení MAX, než vrátíte potraviny zpět do mrazicího prostoru.

### Výměna LED osvětlení

Chcete-li vyměnit kteroukoli z LED diod, kontaktujte nejbližší autorizované servisní středisko.



**Poznámka:** Počet a umístění LED pásků se může lišit v závislosti na

modelu.

## 6 DOPRAVA A PŘEMÍSTĚNÍ

### 6.1 Přeprava a přemístění

- Pro přemístění je třeba uchovat původní obal a pěnu (volitelné).
- Spotřebič musíte upevnit v obalu pomocí páسů nebo silných kabelů a postupovat dle pokynů pro přepravu, které jsou na obalu.
- Před přemístěním nebo přepravou vyjměte všechny pohyblivé části nebo je připevněte ve spotřebiči pomocí páسů, aby během přemístování a přepravy nedošlo k narázům.



Spotřebič vždy přenášejte ve svislé poloze.

## 7 NEŽ SE OBRÁTÍTE NA POPRODEJNÍ SERVIS

Pokud narazíte na problém s Vaším **spotřebičem**, před kontaktováním poprodejního servisu zkontrolujte následující položky.

### Váš spotřebič nefunguje

#### Zkontrolujte, zda:

- Je napájen
- Je zástrčka správně zasunutá do zásuvky
- Se nepřepálila síťová pojistka nebo pojistka zástrčky
- Není zásuvka vadná. Chcete-li to zkontrolovat, zapojte do stejné zásuvky další funkční zařízení.

### Výkon spotřebiče je slabý

#### Zkontrolujte, zda:

- Není spotřebič přetížený
- Jsou dvířka řádně zavřená
- Na kondenzátoru není prach
- Vzadu a po stranách je dostatek místa.

### Váš spotřebič je při provozu hlučný

#### Normální zvuky

#### Praskání:

- Během automatického odmrazování

- Když se spotřebič zahřeje nebo zchladí (z důvodu expanze materiálu).

**Krátké praskání:** Tento zvuk zaslechnete, když termostat zapne a vypne kompresor.

**Zvuk motoru:** Tento zvuk značí, že kompresor funguje normálně. Při prvním zapnutí může kompresor krátkodobě vydávat větší hluk.

**Zvuk bublání a šplouchání:** Tento zvuk je způsoben průtokem chladiva v trubcích systému.

**Zvuk proudění vody:** Tento zvuk je způsoben vodou, která teče do odpařovací nádoby. Tento zvuk je během odmrazování normální.

**Zvuk větru:** U některých modelů chladnička vydává tento zvuk při normálním provozu v důsledku cirkulace vzduchu.

### **Okraje spotřebiče, které jsou v kontaktu se spojem dvířek, jsou teplé**

To je normální, zejména v létě (teplé období), povrchy, které jsou v kontaktu se spojem dvířek, se během provozu kompresoru zahřívají.

### **Uvnitř spotřebiče se hromadí vlhkost**

#### **Zkontrolujte, zda:**

- Jsou všechny potraviny řádně zabalené. Jsou nádoby před vložením do spotřebiče suché.
- Dveře spotřebiče se často otevírají. Vlhkost v místnosti se při otevírání dvířek dostane do spotřebiče. Vlhkost se hromadí rychleji, když dvířka otevíráte častěji, zejména, je-li vlhkost v místnosti vysoká.

### **Dvířka se neotevřou ani nezavřou správně**

#### **Zkontrolujte, zda:**

- Zavírání dvířek brání potraviny nebo obaly
- Jsou spoje dvířek opotřebené nebo poškozené
- Váš spotřebič je na rovném povrchu.

## **Doporučení**

- Pokud je spotřebič vypnutý nebo odpojený od elektrické sítě, počkejte nejméně 5 minut před připojením nebo opětovným spuštěním spotřebiče, aby nedošlo k poškození kompresoru.
- Pokud nebudete spotřebič používat delší dobu (např. během dovolené), odpojte jej od elektrické sítě. Spotřebič vyčistěte v souladu s pokyny v části „Čištění“ a nechte dvířka otevřená, abyste tak zabránili hromadění vlhkosti a zápachu.
- Pokud problém přetrvává i poté, co jste dodrželi všechny výše uvedené pokyny, obraťte se na nejbližší autorizovaný servis.
- Zakoupený spotřebič je určen pouze pro domácí použití. Nehodí se pro komerční použití. Pokud uživatel použije spotřebič způsobem, který je v rozporu s uvedenými funkcemi, zdůrazňujeme, že výrobce a prodejce nenesou odpovědnost za žádnou opravu ani selhání v rámci záručního období.



## 8 TIPY PRO ÚSPORU ENERGIE

1. Umístěte spotřebič v chladném a dobře větraném prostoru, nikoli na přímém slunečním světle či v blízkosti zdroje tepla (radiátoru nebo sporáku). V opačném případě použijte izolační desku.
2. Horké potraviny a nápoje nechte před vložením do spotřebiče vychladnout.
3. Pokud je to možné, potraviny nechte rozmrazit v chladicím prostoru. Nízká teplota zmrazených potravin pomůže zchladit chladicí prostor. To ušetří energii. Rozmrazování potravin mimo spotřebič způsobí ztráty energie.
4. Nápoje a jiné tekutiny by měly být ve spotřebiči zakryté. Pokud tomu tak není, vlhkost uvnitř spotřebiče se zvýší a spotřebič spotřebovává více energie. Nápoje a tekutiny rovněž zakrývejte kvůli zachování vůně a chuti.
5. Dvířka nenechávejte dlouho otevřená ani je neotevírejte příliš často, neboť kvůli teplému vzduchu, který se do prostoru dostane, se bude muset zbytečně často zapínat kompresor.
6. Udržujte kryty různých teplotních oddílů (příhrádka na zeleninu, chladicí prostor, pokud jsou k dispozici) zavřené.
7. Těsnění dvířek musí být čisté a tvárné. V případě opotřebení těsnění vyměňte.

## 9 TECHNICKÉ ÚDAJE

Technické údaje jsou uvedeny na výrobním štítku uvnitř spotřebiče a na energetickém štítku.

QR kód na energetickém štítku dodávaném se spotřebičem poskytuje webový odkaz na informace týkající se výkonu spotřebiče v databázi EU EPREL.

Uchovejte si energetický štítek pro referenční potřeby s návodem k použití a všemi ostatními dokumenty dodanými s tímto spotřebičem.

Rovněž lze tyto informace nalézt v databázi EPREL prostřednictvím odkazu <https://eprel.ec.europa.eu> a pomocí názvu modelu a výrobního čísla, které naleznete na výrobním štítku spotřebiče.

Podrobné informace o energetickém štítku naleznete na adrese [www.theenergylabel.eu](http://www.theenergylabel.eu).

## 10 INFORMACE PRO ZKUŠEBNÍ INSTITUTY

Instalace a příprava tohoto spotřebiče pro jakékoli ověřování EcoDesign musí vyhovovat normě EN 62552. Požadavky na větrání, rozměry výklenku a minimální vzdálenosti zadní části od stěn musí odpovídat hodnotám uvedeným v tomto návodu k použití v ČÁSTI 1. Ohledně dalších informací včetně plnicích plánů se obraťte na výrobce.

## 11 PÉČE O ZÁKAZNÍKY A SERVIS

Používejte pouze originální náhradní díly.  
Při kontaktu se servisním střediskem se ujistěte, že máte k dispozici následující údaje: Model, výrobní číslo (PNC), sériové číslo.

Tyto informace jsou uvedeny na výrobním štítku.

Výrobní štítek se nachází uvnitř chladicího prostoru dole na levé straně.






Původní náhradní díly pro některé specifické součástky, v závislosti na typu součástky, budou k dispozici po dobu minimálně 7 nebo 10 let od uvedení na trh poslední jednotky daného modelu.

Navštivte naše stránky:  
[www.klugecr.cz](http://www.klugecr.cz)

## Dziękujemy za wybór tego produktu.

Ta instrukcja obsługi zawiera ważne informacje dotyczące bezpieczeństwa oraz zalecenia, które mają pomóc w użytkowaniu i konserwacji urządzenia.

Należy poświęcić czas na przeczytanie tej instrukcji przed użyciem urządzenia oraz zachowanie tego podręcznika do późniejszego użycia.

Ikona	Typ	Znaczenie
	<b>OSTRZEŻENIE</b>	Poważne obrażenia ciała lub zagrożenie życia
	<b>RYZIKO PORAŻENIA PRĄDEM ELEKTRYCZNYM</b>	Zagrożenie niebezpiecznym napięciem
	<b>POŻAR</b>	Ostrzeżenie; ryzyko pożaru / materiały łatwopalne
	<b>PRZESTROGA</b>	Zagrożenie obrażeniami ciała lub stratami materialnymi
	<b>WAŻNE</b>	Użytkować system prawidłowo

# SPIS TREŚCI

<b>1 INSTRUKCJE DOTYCZĄCE BEZPIECZEŃSTWA</b> .....	<b>45</b>
1.1 Ogólne ostrzeżenia dotyczące bezpieczeństwa .....	45
1.2 Ostrzeżenia dotyczące instalacji.....	50
1.3 Podczas użytkowania .....	50
<b>2 OPIS URZĄDZENIA</b> .....	<b>52</b>
11.1 Wymiary .....	53
<b>3 KORZYSTANIE Z URZĄDZENIA</b> .....	<b>54</b>
3.1 Ustawienia termostatu .....	54
3.2 Ostrzeżenia dotyczące ustawień temperatury .....	55
3.3 Akcesoria .....	55
3.3.1 Tacka do lodu ( <i>w wybranych modelach</i> ).....	<b>55</b>
3.3.2 Plastikowa skrobaczka ( <i>w wybranych modelach</i> ) .....	<b>55</b>
<b>4 PRZECHOWYWANIE ŻYWNOŚCI</b> .....	<b>56</b>
4.1 Komora chłodzenia .....	56
4.2 Komora zamrażarki .....	58
<b>5 CZYSZCZENIE I KONSERWACJA</b> .....	<b>61</b>
5.1 Rozmrażanie .....	61
<b>6 DOSTAWA I ZMIANA MIEJSCA MONTAŻU</b> .....	<b>62</b>
6.1 Transport i zmiana położenia .....	62
<b>7 PRZED KONTAKTEM Z DZIAŁEM OBSŁUGI POSPRZEDAŻNEJ</b> .....	<b>63</b>
<b>8 WSKAZÓWKI DOTYCZĄCE OSZCZĘDZANIA ENERGII</b> .....	<b>64</b>
<b>9 DANE TECHNICZNE</b> .....	<b>65</b>
<b>10 INFORMACJE DLA INSTYTUCJI PRZEPROWADZAJĄCYCH BADANIA</b> <b>65</b>	
<b>11 OBSŁUGA KLIENTA I SERWIS</b> .....	<b>65</b>

# 1 INSTRUKCJE DOTYCZĄCE BEZPIECZEŃSTWA

## 1.1 Ogólne ostrzeżenia dotyczące bezpieczeństwa

Należy dokładnie przeczytać niniejszą instrukcję obsługi.

**⚠ OSTRZEŻENIE:** Nie należy zasłaniać otworów wentylacyjnych zabudowy ani wbudowanej struktury.

**⚠ OSTRZEŻENIE:** Nie należy stosować żadnych narzędzi mechanicznych ani środków w celu przyspieszenia procesu rozmrażania innych niż zalecane przez producenta.

**⚠ OSTRZEŻENIE:** Wewnątrz komór do przechowywania żywności nie należy używać urządzeń elektrycznych innych niż te wskazane przez producenta.

**⚠ OSTRZEŻENIE:** Należy uważać, aby nie uszkodzić obiegu czynnika chłodniczego.

**⚠ OSTRZEŻENIE:** Ustawiając urządzenie, należy się upewnić, że kabel zasilający nie jest zakleszczony lub uszkodzony.

**⚠ OSTRZEŻENIE:** Nie umieszczać rozgałęziaczy ani przenośnych źródeł zasilania z tyłu urządzenia.

**⚠ OSTRZEŻENIE:** Aby uniknąć zagrożeń wynikających z braku stabilności urządzenia, należy je naprawiać zgodnie z instrukcjami.

**⚠** Jeżeli w urządzeniu zastosowano środek R600a jako czynnik chłodniczy (ta informacja będzie znajdować się na etykiecie chłodziarki), należy

zachować ostrożność podczas transportu i montażu, aby zapobiec zniszczeniu części chłodziarki. Środek R600a jest przyjaznym środowisku naturalnym gazem, ale jest on wybuchowy. W przypadku wycieku gazu w wyniku uszkodzenia elementów chłodziarki należy odsunąć lodówkę od źródeł otwartego ognia lub ciepła i przez kilka minut wietrzyć pomieszczenie, w którym znajduje się urządzenie.

- Podczas przenoszenia i ustawiania lodówki należy uważać, aby nie uszkodzić obiegu gazu chłodziarki.
- W urządzeniu nie należy przechowywać materiałów, takich jak aerozole z substancjami łatwopalnymi.
- To urządzenie jest przeznaczone do użytku w domu oraz w zastosowaniach gospodarczych, takich jak:
  - pomieszczenia kuchenne dla pracowników sklepów, biur i innych miejsc pracy;
  - gospodarstwa agroturystyczne oraz do użytku klientów hoteli, moteli i innych obiektów noclegowych;
  - obiekty oferujące nocleg ze śniadaniem;
  - obiekty gastronomiczne i niezajmujące się handlem detalicznym.
- Jeśli wtyczka lodówki nie jest zgodna z gniazdkiem elektrycznym, musi zostać wymieniona przez producenta, pracownika serwisu lub podobnie wykwalifikowaną osobę w celu uniknięcia niebezpieczeństwa.

- Specjalna wtyczka z uziemieniem została połączona z przewodem zasilającym chłodziarki. Wtyczka ta powinna być używana z gniazdkiem elektrycznym z uziemieniem 16 A. Jeśli w domu użytkownika nie ma takiego gniazdka, należy zlecić jego montaż autoryzowanemu elektrykowi.
- Urządzenie może być używane przez dzieci w wieku od 8 lat oraz osoby o ograniczonych zdolnościach ruchowych, sensorycznych lub umysłowych, a także osoby nieposiadające odpowiedniego doświadczenia i wiedzy, pod nadzorem lub instruktażem innych osób oraz po instruktażu dotyczącym bezpiecznego użytkowania, pod warunkiem że rozumieją one niebezpieczeństwa wynikające z nieprawidłowego użytkowania. Dzieci nie powinny bawić się urządzeniem. Należące do obowiązków użytkownika czynności z zakresu czyszczenia i konserwacji nie powinny być wykonywane przez dzieci bez nadzoru.
- Dzieci w wieku od 3 do 8 lat mogą ładować i rozładowywać urządzenia chłodnicze. Dzieci nie powinny czyścić urządzeń ani wykonywać konserwacji przewidzianej dla użytkownika. Bardzo małe dzieci (poniżej 3. roku życia) w ogóle nie powinny korzystać z urządzeń. Użytkowanie urządzeń przez małe dzieci (od 3 do 8 lat) jest bezpieczne tylko pod stałym nadzorem, starsze dzieci (w wieku od 8 do 14 lat) i osoby szczególnie wrażliwe mogą bezpiecznie korzystać z urządzeń

pod właściwym nadzorem lub po tym, jak zostały poinstruowane na temat użytkowania urządzenia. Ludzie bardzo wrażliwi mogą bezpiecznie korzystać z urządzenia tylko pod stałym nadzorem.

- Jeśli przewód zasilający jest uszkodzony, powinien zostać wymieniony przez producenta, pracownika autoryzowanego serwisu lub podobnie wykwalifikowaną osobę w celu uniknięcia niebezpieczeństwa.
- To urządzenie nie jest przeznaczone do użytku na wysokościach przekraczających 2000 m n.p.m.



## **Aby uniknąć zanieczyszczenia żywności, należy przestrzegać poniższych instrukcji:**

- Pozostawianie zbyt długo otwartych drzwi może spowodować znaczny wzrost temperatury w komorach urządzenia.
- Regularnie czyścić powierzchnie, które mogą wejść w kontakt z żywnością, oraz dostępne systemy odwadniające.
- Surowe mięso i ryby przechowywać w odpowiednich pojemnikach w lodówce, aby nie miały żadnego kontaktu z innymi produktami spożywczymi.
- Komory na mrożonki oznaczone dwiema gwiazdkami są odpowiednie do przechowywania zamrożonej żywności, przechowywania lub robienia lodów i robienia kostek lodu.
- Komory oznaczone jedną, dwiema lub trzema gwiazdkami nie nadają się do zamrażania świeżej żywności.
- Jeśli urządzenie chłodnicze pozostaje puste przez dłuższy czas, należy je wyłączyć, rozmrozić, wyczyścić, osuszyć i pozostawić otwarte drzwi, aby zapobiec rozwojowi pleśni w urządzeniu.

## 1.2 Ostrzeżenia dotyczące instalacji

Przed rozpoczęciem korzystania z lodówkozamrażarki należy zwrócić uwagę na następujące punkty:

- Napięcie robocze lodówkozamrażarki wynosi 220–240 V (50 Hz).
- Wtyczka musi być dostępna po zamontowaniu urządzenia.
- Przy pierwszym użyciu z lodówkozamrażarki może wydzielać się nieprzyjemny zapach. Jest to normalne, a nieprzyjemny zapach zniknie, gdy lodówkozamrażarka rozpocznie chłodzenie.
- Przed podłączeniem lodówkozamrażarki należy się upewnić, że informacje na tabliczce znamionowej (napięcie i podłączone obciążenie) są zgodne z głównym źródłem zasilania. W przypadku wątpliwości należy skonsultować się z autoryzowanym elektrykiem.
- Należy włożyć wtyczkę do gniazdka z działającym uziemieniem. Jeśli gniazdko nie ma uziemienia lub wtyczka nie pasuje, zalecamy skonsultować się z autoryzowanym elektrykiem w celu uzyskania pomocy.
- Urządzenie musi być połączone do właściwie zamontowanego gniazdka z bezpiecznikiem. Zasilanie prądem przemiennym oraz napięcie w miejscu podłączenia urządzenia musi odpowiadać napięciu na tabliczce znamionowej urządzenia (tabliczka znamionowa znajduje się po lewej stronie wewnątrz urządzenia).
- Nie ponosimy odpowiedzialności za szkody, które wystąpią po podłączeniu urządzenia do gniazdka bez uziemienia.
- Lodówkozamrażarkę należy umieścić w miejscu nienarażonym na działanie promieni słonecznych.
- Lodówkozamrażarki nigdy nie należy używać na zewnątrz ani narażać na działanie deszczu.
- Urządzenie musi znajdować się w odległości co najmniej 50 cm od pieców, kuchenek gazowych i nagrzewnic

oraz co najmniej 5 cm od kuchenek elektrycznych.

- Jeśli lodówkozamrażarka znajduje się obok zamrażarki przeznaczonej do głębokiego mrożenia, należy zostawić pomiędzy nimi przerwę co najmniej 2 cm, aby zapobiec tworzeniu się wilgoci na zewnętrznej powierzchni.
- Nie należy przykrywać obudowy lodówkozamrażarki ani jej górnej części materiałem. Wpłyne to na działanie lodówkozamrażarki.
- Wymagany prześwit nad urządzeniem wynosi co najmniej 150 mm. Nie należy umieszczać na nim żadnych przedmiotów.
- Nie należy umieszczać ciężkich przedmiotów na urządzeniu.
- Przed rozpoczęciem korzystania z urządzenia należy je dokładnie wyczyścić (zobacz punkt Czyszczenie i konserwacja).
- Przed rozpoczęciem korzystania z lodówkozamrażarki należy przetrzeć wszystkie części urządzenia roztworem z ciepłej wody i łyżeczki sody oczyszczonej. Następnie przepłukać czystą wodą i wytrzeć do sucha. Po oczyszczeniu włożyć wszystkie części do lodówkozamrażarki.
- Procedurę instalacji w zabudowie kuchennej podano w instrukcji instalacji. Urządzenie może być używane wyłącznie w odpowiednich zabudowach kuchennych.

## 1.3 Podczas użytkowania

- Nie podłączać lodówkozamrażarki do sieci elektrycznej przy użyciu przedłużacza.
- Nie używać zniszczonych, pękniętych ani starych wtyczek.
- Nie należy ciągnąć, zginać ani niszczyć przewodu.
- Nie używać adaptera wtyczki.
- Niniejsze urządzenie jest zaprojektowane do użycia przez osoby dorosłe. Nie pozwalać dzieciom bawić się

urządzeniem ani wieszac się na drzwiach.

- Nigdy nie dotykać kabla zasilania/wtyczki mokrymi rękami. Może to spowodować zwarcie lub porażenie prądem.
- Nie umieszczać szklanych butelek lub puszek w komorze do wytwarzania lodu, ponieważ pękną w wyniku zamarzania zawartości.
- Nie umieszczać w lodówce materiałów wybuchowych lub łatwopalnych. Napoje zawierające wysokoprocentowy alkohol umieścić pionowo w komorze lodówki i upewnić się, że są szczelnie zamknięte.
- Nie dotykać lodu usuwanego z komory do wytwarzania lodu. Lód może powodować odmrożenia i/lub skaleczenia.
- Nie dotykać mrożonych produktów mokrymi rękami. Nie należy jeść lodów ani kostek lodu zaraz po wyjęciu ich z komory do wytwarzania lodu.
- Nie zamrażać ponownie rozmrożonej żywności. Niezastosowanie się do powyższego zalecenia może spowodować problemy zdrowotne takie jak zatrucie pokarmowe.

### Stare i zepsute lodówki

- Jeśli stara lodówka lub zamrażarka ma zamek, należy go wyłamać lub usunąć przed wyrzuceniem urządzenia, ponieważ dzieci mogą utknąć wewnątrz i może dojść do wypadku.
- Stare lodówki i zamrażarki zawierają materiał izolacyjny oraz czynnik chłodniczy z CFC. Dlatego pozbywając się starych lodówek, należy zadbać o ochronę środowiska.

### Deklaracja zgodności CE

Oświadczamy, że nasze produkty spełniają obowiązujące europejskie dyrektywy, decyzje i regulacje oraz wymogi wymienione w odnośnych normach.

### Utylizacja zużytego urządzenia

Symbol na produkcie lub jego opakowaniu wskazuje, że nie może on być traktowany jako odpad z gospodarstw domowych. Zamiast tego należy przekazać



do właściwego punktu zbiórki do recyklingu sprzętu elektrycznego i elektronicznego. Zapewnienie prawidłowej utylizacji produktu pomaga zapobiec negatywnym skutkom dla środowiska i zdrowia ludzkiego, do czego mogłoby dojść w przypadku niewłaściwego likwidowania tego produktu. Więcej szczegółowych informacji na temat recyklingu tego produktu można uzyskać po skontaktowaniu się z lokalnymi biurami miejskim, służbami utylizacji właściwymi dla swojego miejsca zamieszkania lub ze sklepem, w którym produkt został nabyty.

### Opakowanie i środowisko

Materiały opakowaniowe zabezpieczają urządzenie przed uszkodzeniem, które może wystąpić podczas transportu.



Materiały opakowaniowe są przyjazne środowisku, ponieważ nadają się do recyklingu. Używanie surowców wtórnych obniża zużycie surowców i dzięki temu zmniejsza wytwarzanie odpadów.

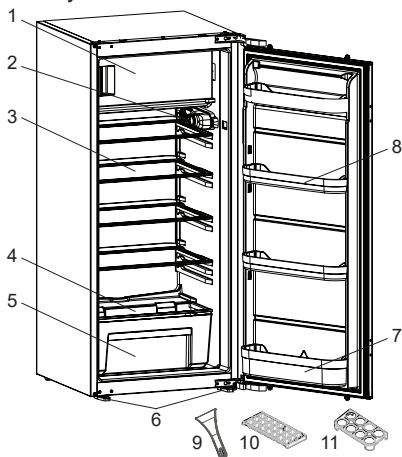
### Uwagi:


- Przed montażem i rozpoczęciem korzystania z urządzenia należy dokładnie przeczytać instrukcję obsługi. Nie ponosimy odpowiedzialności za szkody powstałe w wyniku nieprawidłowego użytkowania urządzenia.
- Należy postępować zgodnie z instrukcjami znajdującymi się na urządzeniu i instrukcją obsługi oraz przechowywać instrukcję w bezpiecznym miejscu, aby móc rozwiązać problemy, które mogą się pojawić w przyszłości.
- Urządzenie to zostało wyprodukowane do użytku domowego i może być używane wyłącznie w domach i tylko do określonych celów. Urządzenie nie jest przeznaczone do użytku komercyjnego ani publicznego. Takie użycie spowoduje unieważnienie gwarancji urządzenia, a nasza firma nie będzie ponosiła odpowiedzialności za powstałe w wyniku tego straty.
- Urządzenie jest przeznaczone do użytku domowego i służy wyłącznie do

chłodzenia i przechowywania żywności. Urządzenie to nie jest odpowiednie do użytku komercyjnego lub publicznego ani do przechowywania substancji innych niż żywność. Nasza firma nie ponosi odpowiedzialności za żadne straty powstałe w wyniku nieprawidłowego użytkowania urządzenia.

## 2 OPIS URZĄDZENIA

Urządzenie to nie jest przeznaczone do zabudowy.



 Niniejsza prezentacja stanowi wyłącznie informację o częściach tego urządzenia. Części mogą się różnić w zależności od modelu urządzenia.

- 1) Drzwi komory zamrażarki
- 2) Skrzynka termostatu
- 3) Półki lodówki
- 4) Pokrywa pojemnika na owoce i warzywa
- 5) Pojemnik na owoce i warzywa
- 6) Lewa i prawa podstawka
- 7) Półka na butelki
- 8) Półki drzwi
- 9) Skrobaczka do lodu z tworzywa sztucznego \*
- 10) Tacka pojemnika na lód
- 11) Podstawka na jajka

\* W wybranych modelach

### Uwagi ogólne:

#### **Komora świeżej żywności (chłodziarka):**

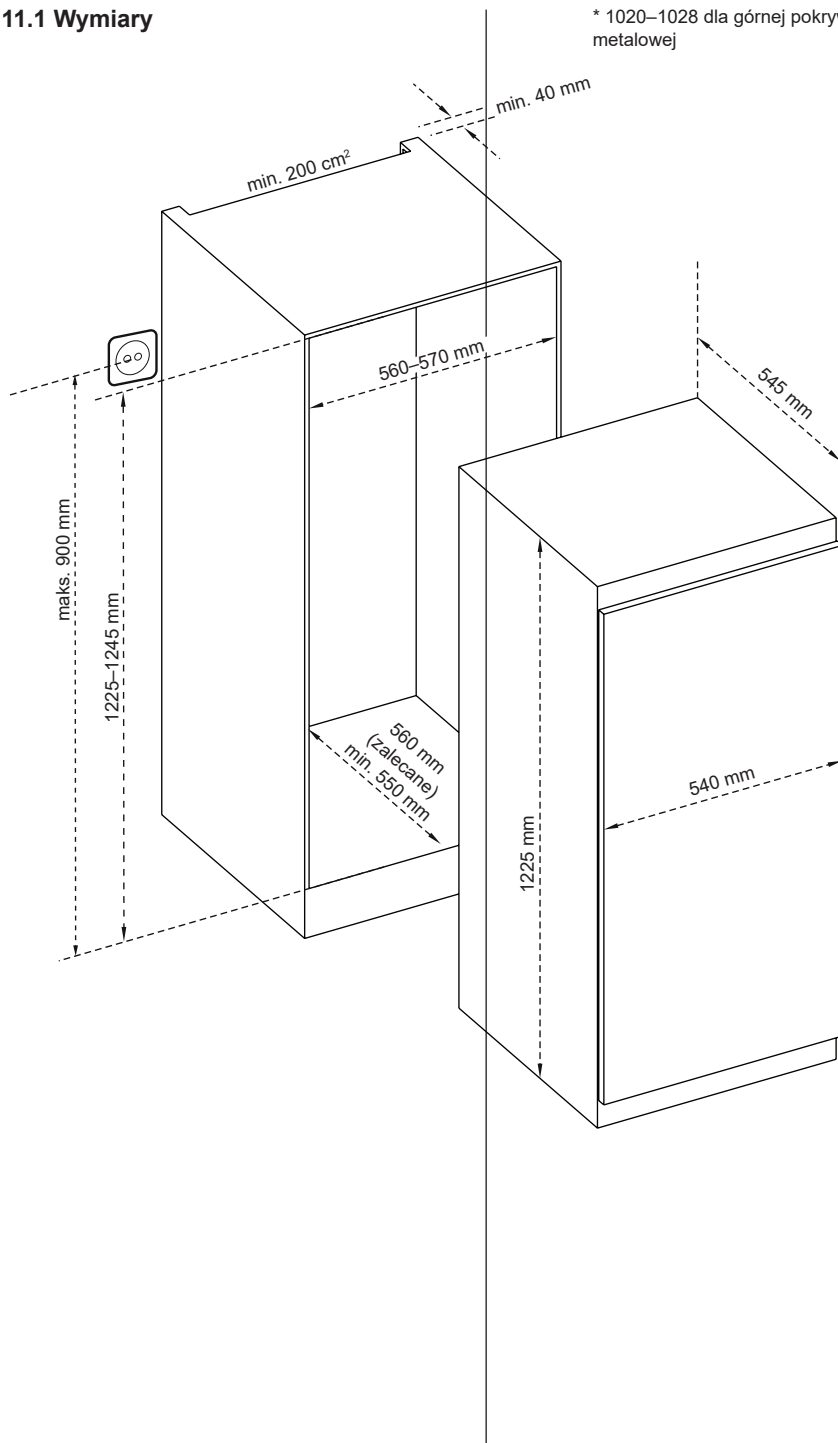
Najbardziej efektywne wykorzystanie energii jest zapewnione w konfiguracji z szufladami w dolnej części urządzenia oraz równo rozłożonymi półkami. Rozmieszczenie pojemników na drzwiach nie wpływa na zużycie energii.

#### **Komora zamrażarki (zamrażarka):**

Najbardziej efektywne wykorzystanie energii jest zapewnione w konfiguracji z szufladami i pojemnikami znajdującymi w pozycji przechowywania.

## 11.1 Wymiary

\* 1020–1028 dla górnej pokrywy metalowej



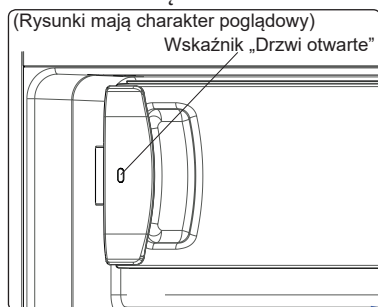
## 3 KORZYSTANIE Z URZĄDZENIA


### Wskaźnik „Drzwi otwarte”.

Wskaźnik „Drzwi otwarte” na klamce pokazuje, czy drzwi zostały prawidłowo zamknięte czy pozostają otwarte.

Jeśli wskaźnik świeci na czerwono, brama jest nadal otwarta.


Jeśli wskaźnik ma kolor biały, drzwi są prawidłowo zamknięte.

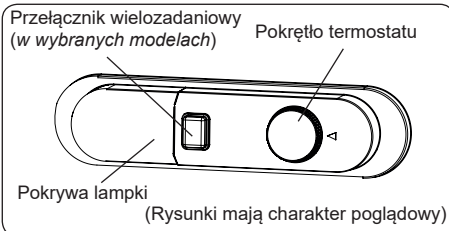


 Drzwi zamrażarki powinny być zawsze zamknięte. Zapobiegnie to rozmrażaniu produktów spożywczych. Pozwoli to również uniknąć dużego gromadzenia się lodu i szronu wewnątrz zamrażarki oraz niepotrzebnego wzrostu zużycia energii.

### 3.1 Ustawienia termostatu

Termostat automatycznie reguluje temperaturę w komorach chłodziarki i zamrażarki. Temperaturę w chłodziarce można uzyskać, obracając pokrętkę na wyższe numery; od 1 do 3, od 1 do 5 lub SF (maksymalne oznaczenia na termostacie zależą od produktu).

 **Ważna uwaga:** Nie należy próbować obracać pokrętki poza pozycję 1, ponieważ spowoduje to zatrzymanie pracy urządzenia.



### Ustawienia termostatu:

- 1 – 2:** Do krótkotrwałego przechowywania żywności
- 3 – 4:** Do długotrwałego przechowywania żywności
- 5:** Maksymalna pozycja chłodzenia. Urządzenie będzie pracować dłużej. W razie potrzeby należy zmienić ustawienie temperatury.

Jeśli w urządzeniu jest dostępna pozycja SF:

- Aby szybko zamrozić świeże jedzenie, należy obrócić pokrętkę na SF. W tej pozycji komora zamrażarki będzie działać przy niższych temperaturach. Po zamrożeniu jedzenia należy obrócić pokrętkę termostatu do pozycji normalnego użytkowania. Jeśli nie zostanie zmieniona pozycja SF, urządzenie automatycznie powróci do ostatnio używanego położenia termostatu po upływie czasu wskazanego w uwadze. Przywrócić przełącznik termostatu w położenie SF, a następnie przywrócić do normalnej pozycji zgodnie z czasem wskazanym w uwadze. Jeżeli przy pierwszym uruchomieniu urządzenia przełącznik termostatu znajduje się w pozycji SF, urządzenie automatycznie powróci do pracy w pozycji 3 termostatu po upływie czasu podanego w uwadze.

**Szybkie zamrażanie:** Tego przełącznika można użyć jako przełącznika szybkiego zamrażania. Aby maksymalnie zwiększyć wydajność mrożenia, należy włączyć ten przełącznik 24 godziny przed włożeniem świeżej żywności do zamrażarki. Po umieszczeniu świeżej żywności w zamrażarce ustawienie na 24 godz. w pozycji WŁ. zazwyczaj wystarcza.

Aby zapewnić oszczędność energii, przełącznik należy wyłączyć 24 godziny po umieszczeniu żywności w zamrażarce.

**Przełącznik zimowy:** Jeżeli temperatura otoczenia jest niższa niż 16°C, przełącznika tego można użyć jako przełącznika zimowego, który utrzymuje lodówkę w temperaturze wyższej niż 0°C, podczas gdy temperatura zamrażarki wynosi -18°C w niskich temperaturach otoczenia.

### 3.2 Ostrzeżenia dotyczące ustawień temperatury

- Urządzenie zostało zaprojektowane z myślą o działaniu w zakresie temperatur otoczenia określonych w normach, zgodnie z klasą klimatyczną znajdującą się na etykiecie informacyjnej. Nie jest zalecana praca lodówki w środowiskach, których temperatura wykracza poza określone zakresy. Zmniejszy to efektywność chłodzenia urządzenia.
- Temperaturę należy dostosowywać w zależności od częstości otwierania drzwi, ilości żywności w urządzeniu oraz temperatury otoczenia w miejscu ustawienia lodówki.
- Po pierwszym uruchomieniu urządzenia należy pozostawić je na 24 godziny, aby osiągnęło temperaturę roboczą. W tym czasie nie należy otwierać drzwi ani trzymać w środku dużej ilości jedzenia.
- Funkcja 5-minutowego opóźnienia jest stosowana, aby zapobiec uszkodzeniu sprężarki urządzenia podczas podłączania lub odłączania z sieci lub w razie wystąpienia awarii zasilania. Po 5 minutach urządzenie zacznie normalnie pracować.

#### **Klasa klimatyczna i znaczenie:**

**T (klimat zwrotnikowy):** To urządzenie chłodnicze jest przeznaczone do użytku w temperaturach otoczenia w zakresie od 16°C do 43°C.

**ST (klimat podzwrotnikowy):** To urządzenie chłodnicze jest przeznaczone

do użytku w temperaturach otoczenia w zakresie od 16°C do 38°C.

**N (klimat umiarkowany):** To urządzenie chłodnicze jest przeznaczone do użytku w temperaturach otoczenia w zakresie od 16°C do 32°C.

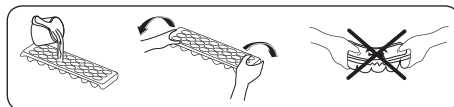
**SN (rozszerzony klimat umiarkowany):** To urządzenie chłodnicze jest przeznaczone do użytku w temperaturach otoczenia w zakresie od 10°C do 32°C.

### 3.3 Akcesoria

*Opisy wizualne i tekstowe w sekcji akcesoriów mogą się różnić w zależności od modelu urządzenia.*

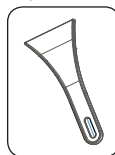
#### 3.3.1 Tacka do lodu (w wybranych modelach)

- Napełnić tackę do lodu wodą i umieścić ją w komorze zamrażarki.
- Po całkowitym zamrożeniu wody można przekręcić tackę w sposób pokazany poniżej, aby usunąć kostki lodu.



#### 3.3.2 Plastikowa skrobaczka (w wybranych modelach)

Po pewnym czasie w niektórych częściach zamrażarki zacznie powstawać szron. Szron nagromadzony w zamrażarce powinien być regularnie usuwany. W razie potrzeby należy użyć dostarczonej plastikowej skrobaczki. Nie należy używać do tego ostrych narzędzi. Mogłyby one przebić obwód lodówki i spowodować nieodwracalne uszkodzenie urządzenia.



*Opisy wizualne i tekstowe w sekcji akcesoriów mogą się różnić w zależności od modelu urządzenia.*

## 4 PRZECHOWYWANIE ŻYWNOŚCI

### 4.1 Komora chłodzenia

- Aby zmniejszyć wilgotność i w konsekwencji uniknąć powstawania szronu, należy zawsze przechowywać płyny w szczelnie zamkniętych pojemnikach w lodówce. Szron zazwyczaj gromadzi się w najchłodniejszych częściach odparowującego płynu i z czasem będzie wymagane częstsze odszranianie urządzenia.
- Gotowane potrawy muszą pozostać przykryte, gdy są przechowywane w lodówce. Nie należy wkładać ciepłych potraw do lodówki. Należy je wkładać dopiero wtedy, gdy są chłodne, w przeciwnym razie temperatura/wilgotność wewnątrz lodówki wzrośnie, obniżając jej wydajność.
- Należy się upewnić, że żadne przedmioty nie stykają się bezpośrednio z tylną ścianą urządzenia, ponieważ powoduje to powstawanie szronu, przez co opakowania mogą się do niej przykleić. Nie należy zbyt często otwierać drzwi lodówki.
- Zalecamy, aby mięso i czyste ryby były luźno owinięte i przechowywane na szklanej półce tuż nad pojemnikiem na warzywa, gdzie powietrze jest chłodniejsze, ponieważ zapewnia to najlepsze warunki przechowywania.
- Owoce i warzywa należy przechowywać w przeznaczonych do tego pojemnikach.
- Oddzielne przechowywanie owoców i warzyw chroni warzywa wrażliwe na etylen (zielone liście, brokuły, marchew itp.) przed wpływem owoców uwalniających ten składnik (banan, brzoskwinia, morela, figa itp.).
- Do lodówki nie należy wkładać mokrych warzyw.
- Czas przechowywania wszystkich produktów żywnościowych zależy od początkowej jakości żywności i

nieprzerwanego cyklu chłodniczego przed przechowywaniem ich w lodówce.

- Woda wyciekająca z mięsa może zanieczyścić inne produkty w lodówce. Należy pakować produkty mięsne i czyścić wszelkie wycieki na półkach.
- Nie należy umieszczać jedzenia przed kanałem przepływu powietrza.
- Zapakowaną żywność należy spożywać przed upływem zalecanej daty ważności.

Aby utrzymać optymalną temperaturę w komorze chłodziarki, nie należy dopuścić do kontaktu żywności z czujnikiem temperatury, który znajduje się w komorze chłodziarki.

- W przypadku zwykłych warunków roboczych wystarczające jest ustawienie temperatury chłodziarki na +4°C.
- Temperatura komory lodówki musi znajdować się w zakresie 0–8°C. Świeża żywność poniżej 0°C zostaje zamrożona i gnije, a powyżej 8°C obciążenie bakteryjne wzrasta i żywność się psuje.
- Nie wkładać do chłodziarki gorącej żywności. Należy odczekać, aż żywność ostygnie na zewnątrz. Gorąca żywność zwiększa temperaturę lodówki, powoduje niepotrzebne psucie żywności i może skutkować zatruciem pokarmowym.
- Mięso, ryby itp. należy przechowywać w komorze chłodzącej żywność, a komora warzywna jest przeznaczona na warzywa (jeżeli jest dostępna).
- Aby zapobiec zanieczyszczeniu krzyżowemu, produkty mięsne oraz owoce i warzywa muszą być przechowywane osobno.
- Żywność należy umieszczać w chłodziarce w zamkniętych pojemnikach lub zakrytą, aby zapobiec wilgoci i nieprzyjemnemu zapachowi.

Poniższa tabela jest krótkim przewodnikiem po najskuteczniejszych sposobach przechowywania głównych grup produktów spożywczych w komorze chłodziarki.



<b>Żywność</b>	<b>Maksymalny czas przechowywania</b>	<b>Jak i gdzie przechowywać</b>
<b>Warzywa i owoce</b>	1 tydzień	Pojemnik na warzywa
<b>Mięso i ryby</b>	2–3 dni	Zawinąć w folię plastikową, torebki lub pojemnik na mięso i przechowywać na szklanej półce
<b>Świeży ser</b>	3–4 dni	Na wyznaczonej półce na drzwiach
<b>Masło i margaryna</b>	1 tydzień	Na wyznaczonej półce na drzwiach
<b>Produkty w butelkach, np. mleko i jogurt</b>	Do daty ważności zalecanej przez producenta	Na wyznaczonej półce na drzwiach
<b>Jajka</b>	1 miesiąc	Na wyznaczonej półce na jajka
<b>Żywność gotowana</b>	2 dni	Wszystkie półki

**UWAGA:**



W chłodziarce nie należy przechowywać ziemniaków, cebuli ani czosnku.

## 4.2 Komora zamrażarki

- Zamrażarka służy do przechowywania mrożonej żywności, zamrażania świeżej żywności i wytwarzania kostek lodu.
- Żywność w płynnej formie powinna być zamrożona w plastikowych kubkach, a pozostałą żywność należy mrozić w plastikowych woreczkach lub torbach. Do przechowywania mrożonej żywności należy poprawnie owinąć i zamknąć w opakowaniu świeżą żywność; opakowanie powinno być hermetyczne i bez widocznych nieszczelności. Idealnie do tego celu nadają się specjalne torby do zamrażania, folia aluminiowa, worki polietylenowe i plastikowe pojemniki.
- Nie należy umieszczać świeżej ani ciepłej żywności obok mrożonej żywności, ponieważ może to spowodować jej rozmrożenie.
- Przed zamrożeniem świeżej żywności należy podzielić ją na porcje, które można spożyć podczas jednego posiłku.
- Mrożoną żywność należy spożywać w krótkim czasie po rozmrożeniu.
- Podczas przechowywania mrożonej żywności należy zawsze postępować zgodnie z instrukcjami producenta umieszczonymi na opakowaniu żywności. Jeśli na opakowaniu nie są podane żadne informacje, żywność nie powinna być przechowywana dłużej niż przez 3 miesiące od daty zakupu.
- Przy zakupie mrożonek należy się upewnić, że były one przechowywane w odpowiednich warunkach i że opakowanie nie jest uszkodzone.
- Żywność mrożona powinna być przewożona w odpowiednich pojemnikach i jak najszybciej umieszczana w zamrażarce.
- Nie należy kupować żywności mrożonej, jeśli na opakowaniu


widać ślady wilgoci i nietypowego pęcznienia. Prawdopodobnie była ona przechowywana w nieodpowiedniej temperaturze, a zawartość opakowania uległa zepsuciu.

- Czas przydatności do spożycia zależy od temperatury w pomieszczeniu, ustawienia termostatu, częstotliwości otwierania drzwiczek, rodzaju żywności oraz czasu trwania jej transportu ze sklepu do domu. Należy zawsze przestrzegać instrukcji wydrukowanych na opakowaniu i nigdy nie przekraczać podanego czasu przydatności do spożycia.
- Jeśli drzwi zamrażarki pozostają otwarte przez długi czas lub nie są prawidłowo zamknięte, tworzy się szron, który może uniemożliwić skuteczną cyrkulację powietrza. Aby rozwiązać ten problem, należy odłączyć zamrażarkę od sieci i poczekać aż się rozmrozi. Po całkowitym odszronieniu należy wyczyścić zamrażarkę.
- Pojemność zamrażarki podana na etykiecie jest pojemnością bez koszyków, pokryw itp.
- Nie zamrażać ponownie rozmrożonej żywności. Może to być niebezpieczne dla zdrowia i może skutkować zatruciem pokarmowym.

**UWAGA:** Przy próbie otwarcia drzwi zamrażarki zaraz po ich zamknięciu można przekonać się, że nie otworzą się one łatwo. To normalne zjawisko. Po osiągnięciu równowagi drzwi otworzą się z łatwością.



Poniższa tabela jest krótkim przewodnikiem po najskuteczniejszych sposobach przechowywania głównych grup produktów spożywczych w komorze zamrażarki.

Mięso i ryby	Przygotowanie		Maksymalny czas przechowywania (miesiące)
Stek	Zawinąć w folię		6–8
Jagnięcina	Zawinąć w folię		6–8
Pieczeń cielęcą	Zawinąć w folię		6–8
Pokrojona cielęcina	W małych kawałkach		6–8
Pokrojona jagnięcina	W kawałkach		4–8
Mięso mielone	W opakowaniu bez użycia przypraw		1–3
Podroby (kawałki)	W kawałkach		1–3
Mortadela/salami	Zapakowane, nawet jeżeli ma błonę		
Kurczak i indyk	Zawinąć w folię		4–6
Gęś i kaczka	Zawinąć w folię		4–6
Jeleń, królik, dzik	W 2,5-kilogramowych porcjach lub jako filety		6–8
Ryby słodkowodne (łosoś, karp, sum)			2
Chude ryby (okoń, turbot, fiandra)	Po oczyszczeniu wnętrza oraz łusek umyć i osuszyć. W razie potrzeby odciąć ogon i głowę.		4
Tłuste ryby (tuńczyk, makrela, łufar, sardela)			2–4
Skorupiaki	Oczyszczyć i włożyć do worka		4–6
Kawior	We własnym opakowaniu, w aluminiowym lub plastikowym pojemniku		2–3
Ślimaki	W osolonej wodzie, w aluminiowym lub plastikowym pojemniku		3
 <b>UWAGA:</b> Mrożone mięso musi być po rozmrożeniu poddane obróbce tak jak świeże. Jeżeli mięso nie zostało poddane obróbce po rozmrożeniu, nie można go zamrozić ponownie.			


Warzywa i owoce	Przygotowanie		Maksymalny czas przechowywania (miesiące)
Fasolka szparagowa i fasola	Umyć, pokroić na małe kawałki i zagotować w wodzie		10–13
Fasola	Wyłuskać, umyć i zagotować w wodzie		12
Kapusta	Oczyszczyć i zagotować w wodzie		6–8
Marchew	Oczyszczyć, pokroić na plastry i zagotować w wodzie		12
Papryka	Odciąć szypułki, przekroić na dwie części, usunąć pestki i zagotować w wodzie		8–10
Szpinak	Umyć i zagotować w wodzie		6–9
Kalafior	Usunąć liście, pokroić główną część na kawałki i pozostawić na chwilę w wodzie z niewielką ilością soku z cytryny		10–12
Bakłażan	Po umyciu pokroić na 2-centymetrowe kawałki		10–12
Kukurydza	Oczyszczyć i zapakować kolbę lub same ziarna		12
Jabłka i gruszki	Obrać i pokroić w plastry		8–10
Morele i brzoskwinie	Przekroić na dwie części i usunąć pestkę		4–6


Warzywa i owoce	Przygotowanie		Maksymalny czas przechowywania (miesiące)
Truskawki i jeżyny	Umyć i usunąć szypułki		8–12
Gotowane owoce	Dodać 10% cukru do pojemnika		12
Śliwki, wiśnie, żurawina	Umyć i usunąć szypułki		8–12


	Maksymalny czas przechowywania (miesiące)	Czas rozmrażania w temperaturze pokojowej (godziny)	Czas rozmrażania w piekarniku (minuty)
Chleb	4–6	2–3	4–5 (220–225°C)
Herbatniki	3–6	1–1,5	5–8 (190–200°C)
Ciastka	1–3	2–3	5–10 (200–225°C)
Ciasta	1–1,5	3–4	5–8 (190–200°C)
Ciasto filo	2–3	1–1,5	5–8 (190–200°C)
Pizza	2–3	2–4	15–20 (200°C)

Nabiał	Przygotowanie	Maksymalny czas przechowywania (miesiące)	Warunki przechowywania
Mleko (homogenizowane) w opakowaniu	We własnym opakowaniu	2–3	Czyste mleko – we własnym opakowaniu
Ser – oprócz twarogu	W plastrach	6–8	Oryginalne opakowanie można wykorzystać do przechowywania krótkoterminowego. Przy dłuższym okresie przechowywania należy zawinąć w folię.
Masło, margaryna	We własnym opakowaniu	6	



## 5 CZYSZCZENIE I KONSERWACJA

 Przed rozpoczęciem czyszczenia należy odłączyć jednostkę od zasilania.

 Nie należy myć urządzenia poprzez polewanie go wodą.

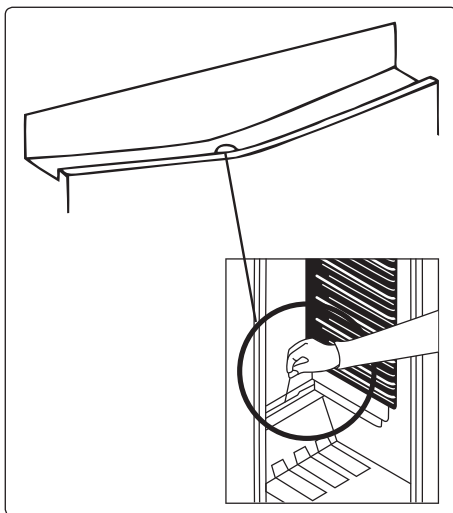
 Do czyszczenia urządzenia nie należy używać produktów ściernych, detergentów ani mydeł. Po wyczyszczeniu należy przepłukać urządzenie czystą wodą i dokładnie wysuszyć. Po zakończeniu czyszczenia ponownie podłączyć wtyczkę do sieci suchymi rękami.

- Upewnić się, że woda nie dostanie się do obudowy lampy i innych elektrycznych elementów.
- Lodówka powinna być czyszczona regularnie przy użyciu roztworu sody oczyszczonej i letniej wody.
- Poszczególne akcesoria należy czyścić osobno wodą z mydłem. Nie należy myć akcesoriów w zmywarce do naczyń.
- Czyścić skraplacz przy użyciu szczoteczki przynajmniej dwa razy w roku. Pomoże to zmniejszyć koszty zużycia energii i zwiększyć efektywność.

  **Podczas czyszczenia należy odłączyć zasilanie.**

### 5.1 Rozmrażanie

#### Odszranianie komory chłodziarki



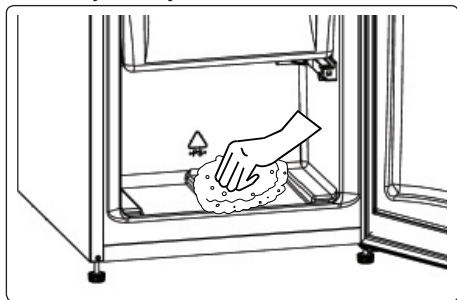
- Odszranianie następuje automatycznie w komorze chłodziarki podczas pracy urządzenia. Woda jest zbierana przez tackę odparowującą i odparowuje automatycznie.
- Tackę odparowującą i otwór odprowadzający skropliny należy okresowo czyścić za pomocą korka spustu w układzie odszraniania, aby zapobiegać gromadzeniu się wody w dolnej części chłodziarki i umożliwić jej odpływ.
- Można również oczyścić otwór spustowy, wlewając do niego pół szklanki wody.

#### Proces odszraniania zamrażarki

- Niewielkie ilości szronu będą gromadzić się wewnątrz zamrażarki w zależności od długości czasu, na jaki drzwi mogą pozostać otwarte, lub od ilości wprowadzonej wilgoci. Należy dopilnować, aby nie dopuścić do tworzenia się szronu lub lodu w miejscach, w których mógłby on wpłynąć na działanie uszczelek drzwiowych. W wyniku tego powietrze może przedostawać się do wnętrza obudowy, co powoduje nieprzerwaną pracę sprężarki. Cienki szron jest dość miękki i można go usunąć szczotką lub plastikową skrobaczką. Nie należy używać metalowych lub ostrych

skrobaczek, urządzeń mechanicznych lub innych środków do przyspieszenia procesu odszraniania. Usunąć z dna obudowy wszelki szron. W celu usunięcia cienkiego szronu nie jest konieczne wyłączenie urządzenia.

- W celu usunięcia ciężkich osadów lodu należy odłączyć urządzenie od sieci elektrycznej, opróżnić zawartość i przeładować do kartonowych pudeł, a następnie zawinąć w grube koce lub warstwy papieru, aby utrzymać chłód. Odszranianie będzie skuteczne, jeżeli zostanie przeprowadzone, gdy zamrażarka jest prawie pusta oraz tak szybko, jak to możliwe, w celu zapobiegnięcia niepotrzebnemu wzrostowi temperatury artykułów wewnątrz zamrażarki.
- Nie należy używać metalowych lub ostrych skrobaczek, urządzeń mechanicznych lub innych środków do przyspieszenia procesu odszraniania. Wzrost temperatury zamrożonej żywności podczas odszraniania skróci czas przydatności do spożycia. Podczas odszraniania zawartość należy przechowywać dobrze zawiniętą w chłodnym miejscu.




- Wnętrze komory wysuszyć gąbką lub czystą ściereczką.
- Aby przyspieszyć odszranianie, w komorze zamrażarki można umieścić jedną lub więcej miseczek ciepłej wody.
- Sprawdzić zawartość podczas zamiany

miejsz w zamrażarce, a jeżeli część żywności zapakowanej odtajała, należy ją spożyć w ciągu 24 godzin, ugotować lub ponownie zamrozić.

- Po zakończeniu odszraniania wyczyścić wnętrze urządzenia roztworem ciepłej wody i niewielkiej ilości wodorowęglanu sody, a następnie dokładnie wysuszyć. Umyć w ten sam sposób wszystkie zdejmowane części i ponownie złożyć. Podłączyć ponownie urządzenie do sieci elektrycznej i pozostawić na 2 do 3 godzin na ustawieniu MAX przed ponownym włożeniem żywności do zamrażarki.

### Wymiana oświetlenia LED


Aby wymienić którąkolwiek z lampek LED, należy skontaktować się z najbliższym autoryzowanym centrum serwisowym.

 **Uwaga:** Liczba i rozmieszczenie taśm LED mogą się różnić w zależności od modelu.

## 6 DOSTAWA I ZMIANA MIEJSCA MONTAŻU

### 6.1 Transport i zmiana położenia

- Oryginalne opakowanie i styropian transportowy można zachować na potrzeby późniejszego transportu (opcjonalnie).
- Urządzenie zamocować z użyciem grubego opakowania, opasek lub mocnych linek i postępować zgodnie z instrukcjami dotyczącymi transportu umieszczonymi na opakowaniu.
- Podczas przestawiania lub transportu usunąć wszystkie ruchome części lub zamocować je w urządzeniu za pomocą opasek zabezpieczających przed wstrząsami.

 Urządzenie należy zawsze przenosić w pozycji pionowej.

## 7 PRZED KONTAKTEM Z DZIAŁEM OBSŁUGI POSPRZEDAŻNEJ

W razie wystąpienia jakichkolwiek problemów z **urządzeniem** przed skontaktowaniem się z działem obsługi posprzedażnej należy sprawdzić następujące rzeczy.

### **Urządzenie nie działa**

#### **Należy sprawdzić, czy:**

- Urządzenie otrzymuje zasilanie
- Wtyczka jest prawidłowo umieszczona w gniazdku
- Przepalił się bezpiecznik wtyczkowy lub sieciowy
- Gniazdo jest wadliwe. Aby to sprawdzić, należy podłączyć inne działające urządzenie do tego samego gniazdka.

### **Urządzenie działa nieprawidłowo**

#### **Należy sprawdzić, czy:**

- Urządzenie jest przeciążone
- Drzwi urządzenia są prawidłowo zamknięte
- W skraplaczu nie ma kurzu
- Z tyłu i przy bocznych ścianach urządzenia jest wystarczająco dużo miejsca.

### **Urządzenie pracuje głośno**

#### **Zwykle odgłosy**

#### **Pojawia się odgłos pękania:**

- Podczas automatycznego odszraniania
- Gdy urządzenie jest poddawane niskiej lub wysokiej temperaturze (z powodu naprężania materiału urządzenia).

#### **Pojawia się krótkotrwały trzask:**

Podczas włączania i wyłączenia sprężarki przez termostat.

**Odgłos silnika:** Wskazuje, że sprężarka pracuje prawidłowo. Sprężarka może działać nieco głośniej przez krótki czas zaraz po włączeniu.

**Pojawia się odgłos bulgotania i chlapania:** Jest spowodowany przepływem czynnika chłodzącego w rurkach układu.

**Pojawiają się szумы przepływu wody:** Z powodu napływu wody do zbiornika odparowującego. Jest to normalny odgłos podczas odszraniania.

**Pojawia się odgłos nadmuchu powietrza:** W niektórych modelach wskazuje na prawidłowe działanie układu i cyrkulację powietrza.

### **Krawędzie urządzenia stykające się z przegubem drzwiowym są ciepłe**

Szczególnie w okresie letnim (ciepłe pory roku) podczas pracy sprężarki powierzchnie stykające się z przegubem drzwiowym mogą się nagrzewać, jest to normalne.

### **W urządzeniu gromadzi się wilgoć**

#### **Należy sprawdzić, czy:**

- Cała żywność jest właściwie zapakowana, Pojemniki umieszczone w **urządzeniu** muszą być suche.
- Drzwi **urządzenia** są często otwierane. Wilgoć z pomieszczenia dostaje się do **urządzenia** podczas otwierania drzwi. Poziom wilgotności zwiększa się szybciej, jeśli drzwi są często otwierane, zwłaszcza gdy poziom wilgotności w pomieszczeniu jest wysoki.

### **Drzwi nie otwierają się lub nie zamykają prawidłowo.**

#### **Należy sprawdzić, czy:**

- Artykuł spożywczy lub opakowanie uniemożliwiają zamknięcie drzwi.
- Zawiasy drzwi są uszkodzone lub zniszczone.
- **Urządzenie** stoi na równej powierzchni.

### **Zalecenia**

- Jeśli urządzenie jest wyłączone lub odłączone od zasilania, należy przed ponownym włączeniem lub podłączeniem do zasilania odczekać co najmniej 5 minut, aby nie uszkodzić sprężarki.
- Jeśli urządzenie nie będzie używane przez dłuższy czas (np. w czasie wakacji letnich), należy je odłączyć od źródła zasilania. Należy wyczyścić urządzenie zgodnie z instrukcjami w rozdziale dotyczącym czyszczenia i zostawić otwarte drzwi w celu usunięcia wilgoci i zapachów.

- Jeśli problem będzie się utrzymywał po wykonaniu wszystkich powyższych instrukcji, należy skonsultować się z najbliższym autoryzowanym centrum serwisowym.
- To urządzenie jest przeznaczone wyłącznie do użytku domowego. Urządzenie nie jest przeznaczone do użytku komercyjnego ani publicznego. W przypadku użytkowania urządzenia niezgodnie z jego przeznaczeniem podkreślamy, że producent ani dystrybutor nie ponoszą odpowiedzialności za naprawy i usterki występujące w okresie obowiązywania gwarancji.

## **8 WSKAZÓWKI DOTYCZĄCE OSZCZĘDZANIA ENERGII**

1. Zainstalować urządzenie w chłodnym, dobrze wentylowanym pomieszczeniu, ale nie w obszarze bezpośredniego działania światła słonecznego i nie w pobliżu źródła ciepła (takiego jak grzejnik lub piekarnik), w przeciwnym razie należy zastosować płytę izolacyjną.
2. Przed umieszczeniem w urządzeniu ciepłych potraw i napojów należy odczekać, aż ostygną.
3. Rozmrażaną żywność umieszczać w komorze chłodziarki, jeśli jest dostępna. Niska temperatura zamrożonej żywności pozwoli obniżyć temperaturę w komorze chłodziarki na czas rozmrażania. Pozwoli to zaoszczędzić energię. Pozostawienie mrożonej żywności do rozmrożenia poza urządzeniem będzie powodować straty energii.
4. Napoje lub inne płyny powinny być przykryte, gdy znajdują się wewnątrz urządzenia. Jeżeli pozostaną nieosłonięte, wilgotność wewnątrz urządzenia wzrośnie, a tym samym urządzenie będzie zużywać więcej energii. Przechowywanie napojów i innych płynów pod przykryciem pomaga zachować ich zapach i smak.
5. Starać się unikać zbyt częstego i zbyt długiego otwierania drzwi, ponieważ ciepłe powietrze będzie dostawać się do wnętrza, powodując nadmierne uruchamianie sprężarki.
6. Należy zamykać pokrywy komór o różnej temperaturze (takich jak pojemniki na warzywa i owoce oraz półka chłodząca, jeśli są dostępne).
7. Uszczelka w drzwiach urządzenia powinna być czysta i elastyczna. W razie zużycia należy wymienić uszczelkę.



## 9 DANE TECHNICZNE

Informacje techniczne znajdują się na tabliczce znamionowej na wewnętrznej stronie urządzenia i na etykiecie energetycznej.

Kod QR na etykiecie energetycznej dostarczonej z urządzeniem kieruje do łącza strony internetowej, na której znajdują się informacje związane z wydajnością urządzenia w europejskiej bazie danych EPREL.

Zachowaj etykietę energetyczną do wykorzystania wraz z instrukcją obsługi i innymi dokumentami dostarczonymi z tym urządzeniem.

Możliwe jest również znalezienie tych samych informacji w bazie EPREL pod adresem <https://eprel.ec.europa.eu> oraz nazwy modelu i numeru produktu, podanych na tabliczce znamionowej urządzenia.

Szczegółowe informacje o etykiecie energetycznej znajdują się pod adresem [www.theenergylabel.eu](http://www.theenergylabel.eu).

## 10 INFORMACJE DLA INSTYTUCJI PRZEPROWADZAJĄCYCH BADANIA

Instalowanie i przygotowanie urządzenia do wszelkiej kontroli EcoDesign powinno być zgodne z normą EN 62552. Wymagania dotyczące wentylacji, wymiary wnęki i minimalne tylne odstępki powinny być takie, jak określono w ROZDZIAŁ 1 niniejszej instrukcji obsługi. W przypadku dodatkowych informacji, w tym planów ładowania, należy skontaktować się z producentem.

## 11 OBSŁUGA KLIENTA I SERWIS

Zawsze korzystaj z oryginalnych części zamiennych.

Podczas kontaktu z autoryzowanym centrum serwisowym upewnij się, że posiadasz poniższe dane: Model, numer seryjny.

Informacje można znaleźć na tabliczce znamionowej.

Oryginalne części zamienne do niektórych określonych komponentów są dostępne przez co najmniej 7 lub 10 lat, w zależności od typu komponentu, od wprowadzenia do obrotu na rynek ostatniej jednostki modelu.

Odwiedź naszą stronę:  
[www.klugecr.cz](http://www.klugecr.cz)

## Ďakujeme, že ste si zakúpili tento produkt!

tento návod na obsluhu obsahuje dôležité bezpečnostné informácie a pokyny k správnej obsluhu a údržbe Vášho spotrebiča.

Prečítajte si prosím pozorne tento návod na obsluhu ešte predtým, ako začnete spotrebič používať, a uschovajte ho pre prípadné budúce použitie.

Ikona	Typ	Význam
	<b>VAROVANIE:</b>	Vážne riziko alebo smrteľné nebezpečenstvo
	<b>NEBEZPEČENSTVO ZÁSAHU ELEKTRICKÝM PRÚDOM</b>	Riziko nebezpečného napätia
	<b>POŽIAR</b>	Varovanie; riziko požiaru horľavých materiálov
	<b>UPOZORNENIE</b>	Riziko úrazu alebo škody na majetku
	<b>DÔLEŽITÉ</b>	Správne obsluhovanie systému

# OBSAH

<b>1 BEZPEČNOSTNÉ POKYNY</b> .....	<b>68</b>
1.1 Všeobecné bezpečnostné varovania.....	68
1.2 Montážne varovania.....	72
1.3 Počas používania.....	72
<b>2 OPIS SPOTREBIČA</b> .....	<b>74</b>
2.1 Rozmery.....	75
<b>3 POUŽÍVANIE SPOTREBIČA</b> .....	<b>76</b>
3.1 Nastavenie termostatu.....	76
3.2 Upozornenia pri nastaveniach teploty.....	76
3.3 Príslušenstvo.....	77
3.3.1 Nádobka na ľad ( <i>pri niektorých modeloch</i> ).....	77
3.3.2 Plastová škrabka ( <i>pri niektorých modeloch</i> ).....	77
<b>4 USKLADNENIE POTRAVÍN</b> .....	<b>77</b>
4.1 Chladnička.....	77
4.2 Mraziaci priestor.....	78
<b>5 ČISTENIE A ÚDRŽBA</b> .....	<b>82</b>
5.1 Odmrazovanie.....	82
<b>6 DODANIE A PREMIESTNENIE</b> .....	<b>83</b>
6.1 Preprava a zmena polohy.....	83
<b>7 PREDTÝM, AKO KONTAKTUJETE SERVISNÉ STREDISKO</b> .....	<b>83</b>
<b>8 TIPY NA ÚSPORU ENERGIE</b> .....	<b>84</b>
<b>9 TECHNICKÉ ÚDAJE</b> .....	<b>85</b>
<b>10 INFORMÁCIE PRE SKÚŠOBNÉ INŠTITÚCIE</b> .....	<b>85</b>
<b>11 ZÁKAZNÍCKA STAROSTLIVOSŤ A SERVIS</b> .....	<b>85</b>

# 1 BEZPEČNOSTNÉ POKYNY

## 1.1 Všeobecné bezpečnostné varovania

**Tento návod na obsluhu si pozorne prečítajte.**

**! VAROVANIE:** Predchádzajte zablokovaniu vetracích otvorov v plášti spotrebiča alebo v zabudovanej konštrukcii.

**! VAROVANIE:** Nepoužívajte iné mechanické zariadenia alebo iné pomôcky na zrýchlenie procesu rozmrazovania, ako sú tie, ktoré odporúča výrobca.

**! VAROVANIE:** Vo vnútri priestorov na skladovanie potravín v spotrebiči nepoužívajte elektrické spotrebiče, ak ich použitie neodporúča výrobca.

**! VAROVANIE:** Nepoškodte chladiaci okruh.

**! VAROVANIE:** Pri umiestňovaní spotrebiča sa uistite, že napájací kábel nie je zachytený alebo poškodený.

**! VAROVANIE:** K zadnej strane spotrebiča neumiestňujte prenosné rozvodky alebo prenosné zdroje napätia.

**! VAROVANIE:** Aby ste predišli nebezpečenstvu spôsobenému nestabilitou spotrebiča, je potrebné ho upevniť podľa pokynov.

**⚠** Ak váš spotrebič používa ako chladiacu látku R600a (táto informácia sa nachádza na výrobnom štítku chladničky), mali by ste byť počas prepravy a inštalácie opatrný, aby ste zabránili poškodeniu chladiacich prvkov. R600a je prírodný plyn šetrný k

životnému prostrediu, je však výbušný. V prípade úniku z dôvodu poškodenia presuňte chladničku mimo otvoreného ohňa alebo zdrojov tepla a vyvetrajte miestnosť, v ktorej sa spotrebič nachádza.

- Počas umiestňovania a prenášanie chladničky nepoškodíte okruh chladiaceho plynu.
- V tomto spotrebiči neskladujte výbušné látky, napr. aerosólové plechovky s horľavým hnacím plynom.
- Tento spotrebič je určený na používanie v domácnosti a pri podobnom používaní, ako napríklad:
  - kuchynky pre personál v obchodoch, kanceláriách a v iných pracovných prostrediach;
  - farmárske domy a klientmi v hoteloch, motelloch a v iných prostrediach rezidenčného typu;
  - zariadeniach typu nocľah s raňajkami;
  - stravovacie a podobné nemaloobchodné použitie.
- Ak sa zástrčka chladničky nezmesťí do zásuvky, musí ju vymeniť výrobca, servisný technik alebo podobne kvalifikovaná osoba, aby sa predišlo zraneniu.
- Špeciálne uzemnená zástrčka bola pripojená k napájaciemu káblu vašej chladničky. Táto zástrčka sa musí používať so špeciálne uzemnenou zásuvkou s výkonom 16 ampérov. Ak sa vo vašej domácnosti žiadna takáto zásuvka nenachádza, dajte si ju nainštalovať autorizovaným elektrikárom.

- Tento spotrebič môžu používať deti staršie ako 8 rokov a osoby so zníženými fyzickými, vnemovými alebo mentálnymi schopnosťami, prípadne nedostatkom skúseností a vedomostí, ak sú počas prevádzky spotrebiča pod náležitým dozorom alebo boli poučené o bezpečnom používaní spotrebiča a chápu možné riziká. Deti sa so spotrebičom nesmú hrať. Deti bez dozoru nesmú vykonávať čistenie ani používateľskú údržbu.
- Deti vo veku od 3 do 8 rokov môžu do spotrebiča vkladať potraviny, alebo ich z neho v yberat. Deti nesmú vykonávať údržbu alebo čistenie spotrebiča, veľmi malé deti (0 – 3 rokov) nesmú používať spotrebič, malé deti (3 – 8 rokov) nesmú používať spotrebič, ak sú bez stáleho dozoru, staršie deti (8 – 14 rokov) a osoby s obmedzenými fyzickými alebo duševnými schopnosťami môžu používať spotrebič ak sú pod dozorom alebo boli o bezpečnom použití spotrebiča náležite poučené. Ľudia s veľmi obmedzenými schopnosťami nesmú používať spotrebič, ak nie sú pod stálym dozorom.
- Ak je napájací kábel poškodený, výrobca, autorizované servisné stredisko alebo iná kvalifikovaná osoba ho musí vymeniť, aby sa predišlo nebezpečenstvu.
- Tento spotrebič nie je určený na použitie v nadmorských výškach nad 2000 m.

## **Aby nedošlo ku kontaminácii jedla, dodržiavajte tieto pokyny:**

- Ponechanie otvorených na dlhý čas môže spôsobiť výrazný narástť teploty vo vnútri spotrebiča.
- Pravidelne čistite povrchy, ktoré prichádzajú do kontaktu s jedlom, a tiež prístupné odtokové systémy.
- Surové mäso a ryby uchovávajte v chladničke vo vhodných nádobách, aby nedochádzalo k ich kontaktu s inými potravinami alebo kvapnutiu na ne.
- Priehradky na mrazené potraviny označené dvoma hviezdikami sú vhodné na uchovávanie vopred zmrazených potravín, uchovávanie alebo výrobu zmrzliny a výrobu ľadových kociek.
- Priehradky označené jednou, dvoma alebo tromi hviezdikami nie sú vhodné na zmrazenie čerstvého jedla.
- Ak spotrebič nebudete dlhší čas používať, vypnite ho, rozmrazte, očistite, osušte a ponechajte dvierka otvorené, aby ste zabránili tvorbe plesní vnútri spotrebiča.

## 1.2 Montážne varovania

Pred prvým použitím vašej chladničky/mrazničky venujte pozornosť týmto bodom:

- Prevádzkové napätie vašej chladničky/mrazničky je 220 – 240 V pri 50 Hz.
- Zástrčka musí byť po inštalácii ľahko dostupná.
- Vaša chladnička/mraznička môže mať pri prvom spustení istý zápach. Je to normálne a zápach vyprchá, keď chladnička/mraznička začne chladiť.
- Pred pripojením chladničky/mrazničky sa uistite, či sa informácie na výrobnom štítku (napätie a zaťaženie napájania) zhodujú s hodnotami elektrickej siete. V prípade pochybností kontaktujte kvalifikovaného elektrikára.
- Zástrčku pripojte k zásuvke s účinným uzemnením. Ak zásuvka nie je uzemnená alebo ak sa nezhoduje, odporúčame, aby ste o pomoc požiadali kvalifikovaného elektrikára.
- Spotrebič musí byť pripojený k správne inštalovanej zásuvke s poistkou. Napájanie (striedavý prúd) a napätie musí zodpovedať údajom na typovom štítku spotrebiča (typový štítok sa nachádza v ľavej vnútornej časti spotrebiča).
- Nenesieme zodpovednosť za žiadne škody, ku ktorým môže dôjsť z dôvodu použitia neuzemnenej zásuvky.
- Chladničku/mrazničku umiestnite tam, kde nebude vystavená priamemu slnečnému svetlu.
- Chladničku/mrazničku nepoužívajte v exteriéri ani ju nevystavujte dažďu.
- Spotrebič musí byť umiestnený minimálne 50 cm od sporáka, plynových rúr a minimálne 5 cm od elektrických rúr.
- Ak je chladnička/mraznička umiestnená vedľa mraziacej skrine, musí byť medzi nimi medzera minimálne 2 cm, aby sa predišlo tvorbe vlhkosti na vonkajšom povrchu.

- Nezakrývajte telo alebo hornú časť chladničky/mrazničky obrusmi, obrusmi. Ovplyvní to výkonnosť chladničky/mrazničky.
- Nad vrchnou časťou spotrebiča je nutné ponechať minimálne 150 mm široký odstup. Na vršok spotrebiča nič neodkladajte.
- Na spotrebič neumiestňujte ťažké predmety.
- Spotrebič pred použitím dôkladne vyčistite (viď kapitolu Čistenie a údržba).
- Pred použitím chladničky/mrazničky utrite všetky časti roztokom teplej vody s lyžičkou sódy bikarbóny. Potom opláchnite vodou a osušte. Po očistení všetky diely vráťte do chladničky/mrazničky.
- Montážny postup do kuchynskej linky je uvedený v návode na montáž. Tento produkt je určený na len na použitie v určitých kuchynských linkách.

## 1.3 Počas používania

- Chladničku nepripájajte k elektrickej sieti pomocou predlžovacieho kábla.
- Nepoužívajte poškodené, rozbité alebo staré zástrčky.
- Kábel neťahajte, neohýbajte alebo nepoškodzuje.
- Nepoužívajte zástrčkový adaptér.
- Tento spotrebič je navrhnutý na používanie dospelými osobami. Nenechajte deti hrať sa so spotrebičom alebo zvesiť dvere.
- Nikdy sa nedotýkajte napájacieho kábla/zástrčky mokrými rukami. Môže to spôsobiť skrat alebo úraz elektrickým prúdom.
- Do priehradky na tvorbu ľadu nekladajte sklené fľaše alebo plechovky, pretože môžu po zamrznutí obsahu explodovať.
- Nedávajte do chladničky výbušné alebo horľavé materiály. Nápoje s obsahom alkoholu umiestnite do priehradky chladničky zvisle a uistite sa, že sú pevne uzavreté.



- Pri odstraňovaní ľadu z priehradky na tvorbu ľadu sa ho nedotýkajte. Ľad môže spôsobiť omrzliny a/alebo rezné rany.
- Mrazených produktov sa nedotýkajte mokrými rukami. Zmrzlinu alebo ľadové kocky nejedzte hneď po ich vybratí z priehradky na tvorbu ľadu.
- Rozmrazené potraviny opätovne nezmrázujte. Môže to spôsobiť zdravotné problémy, napr. otravu jedlom.

### Staré a zastarané chladničky

- Ak má vaša stará chladnička alebo mraznička zákmu, rozbite ju alebo ju pred likvidáciou odstráňte, pretože by v spotrebiči mohli uviesť deti, čo by mohlo viesť k nehode.
- Staré chladničky a mrazničky obsahujú izolačný materiál a chladivo s freónmi. Preto dbajte na to, aby ste pri likvidácii starých chladničiek nepoškodzovali životné prostredie.

### Vyhlasenie zhody ES

Vyhlasujeme, že naše výrobky spĺňajú platné smernice, rozhodnutia a nariadenia EÚ a požiadavky uvedené v referenčných normách.

### Likvidácia starého spotrebiča

Symbol na výrobku alebo na jeho obale znamená, že tento výrobok sa nesmie likvidovať ako komunálny odpad. Namiesto toho ho musíte odovzdať na zbernom dvore na recykláciu elektrického a elektronického zariadenia. Zabezpečením správnej likvidácie tohto výrobku pomôžete predchádzať potenciálnym nepriaznivým dosahom na životné prostredie a ľudské zdravie, ku ktorému by inak mohlo dôjsť nevhodným nakladaním s odpadom z tohto výrobku. Ak chcete získať podrobnejšie informácie o recyklácii tohto výrobku, kontaktujte svoj obecný úrad, stredisko na likvidáciu komunálneho odpadu alebo na predajňu, v ktorej ste si výrobok zakúpili.

### Balenie a životné prostredie

Obalové materiály chránia váš spotrebič pred poškodením, ku ktorému môže dôjsť pri preprave.

Obalové materiály sú šetrné k životnému prostrediu, keďže sú recyklovateľné. Používanie recyklovaných materiálov znižuje spotrebu surovín a tým znižuje tvorbu odpadu.

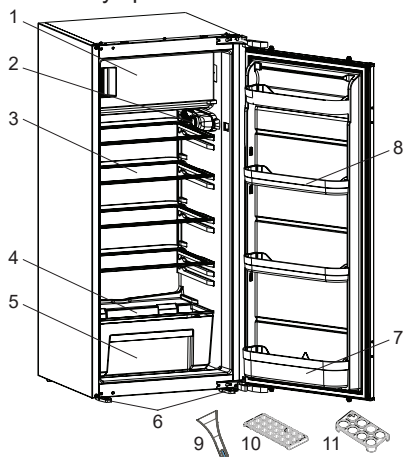
### Poznámky:


- Pred inštaláciou a použitím spotrebiča si pozorne prečítajte návod na obsluhu. Nie sme zodpovedný za škody vzniknuté nesprávnym používaním.
- Dodržte pokyny uvedené na spotrebiči a v návode na obsluhu, tento návod uchovajte na bezpečnom mieste, aby ste mohli vyriešiť problémy, ak k nim v budúcnosti dôjde.
- Tento spotrebič je určený na použitie v domácnostiach a je možné ho použiť len v domácom prostredí a na špecifikované účely. Nie je vhodný pre komerčné alebo bežné používanie. Takýmto používaním strácate právo na opravu v záručnej dobe a naša spoločnosť neponesie zodpovednosť za žiadne vzniknuté straty.
- Tento spotrebič je určený na použitie v domácnostiach a je vhodný len na skladovanie/chladienie potravín. Nie je vhodný na komerčné použitie a/alebo skladovanie iných látok ako potraviny. Naša spoločnosť nenesie zodpovednosť za prípadné škody spôsobené nesprávnym používaním spotrebiča.



## 2 OPIS SPOTREBIČA

Tento spotrebič nie je určený na používanie ako vstavaný spotrebič.



 Táto obrázok je len ilustračný a slúži len na informáciu o dieloch spotrebiča. Jednotlivé časti sa môžu podľa modelu spotrebiča líšiť.

- 1) Dvere mraziaceho priestoru
- 2) Termostat
- 3) Police chladničky
- 4) Kryt priestoru na ovocie a zeleninu
- 5) Priestor na ovocie a zeleninu (crisper)
- 6) Ľavá a pravá nožička
- 7) Polica na fľaše
- 8) Police vo dverách
- 9) Plastová škrabka na ľad \*
- 10) Zásobník na ľad
- 11) Držiak na vajíčka

\* Len pri niektorých modeloch

### Všeobecné poznámky:

#### **Priehradka na čerstvé potraviny**

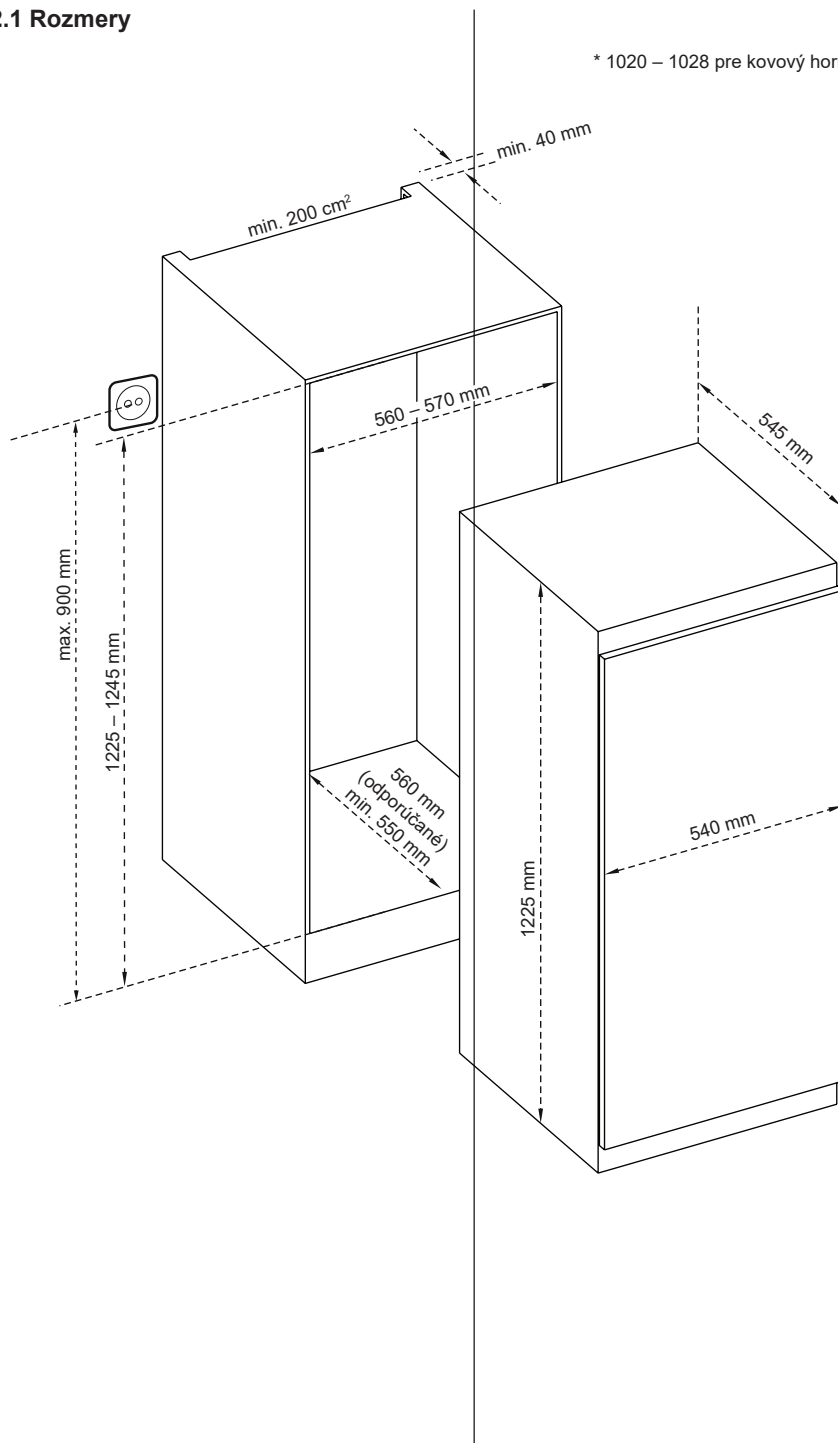
**(chladnička):** Najefektívnejšie využitie energie je zabezpečené pri umiestnení zásuviek v dolnej časti spotrebiča a rovnomernom umiestnení políc, zatiaľ čo pozície políc vo dverách spotrebu energie neovplyvňujú.

#### **Mraziaci priestor (Mrazička):**

Najefektívnejšie využívanie energie je zabezpečené pri konfigurácii so zásuvkami a košmi tak ako boli umiestnené vo výrobnom štádiu.

## 2.1 Rozměry

\* 1020 – 1028 pre kovový horný kryt



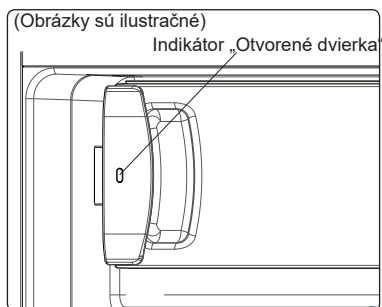
## 3 POUŽÍVANIE SPOTREBIČA


### Indikátor „Otvorené dvierka“

Indikátor „Otvorené dvierka“ na rukoväti indikuje, či boli dvierka riadne zatvorené alebo či zostali otvorené.

Ak je indikátor červený, dvierka sú stále otvorené.


Ak je indikátor biely, dvierka sú správne zatvorené.

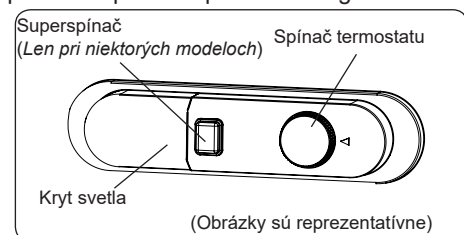


 Dvierka mrazničky by ste vždy mali udržiavať zatvorené. Zabráni sa tým rozmrazeniu potravinových výrobkov. Predídete vytvoreniu hrubej vrstvy námrazy v mrazničke mrazničky a zbytočnej zvýšenej spotrebe energie.

### 3.1 Nastavenie termostatu

Termostat automaticky reguluje teplotu v priečinkoch chladničky a mrazničky. Teploty chladničky môžete dosiahnuť otáčaním ovládača na vyššie hodnoty: 1 až 3, 1 až 5 alebo SC (Maximálna hodnota na termostate závisí od konkrétneho spotrebiča.)

 **Dôležitá poznámka:** Ovládač sa nepokúšajte otočiť za hodnotu 1, pretože spotrebič prestane fungovať.



### Nastavenia termostatu:

**1 – 2 :** Na krátkodobé skladovanie potravín

**3 – 4 :** Na dlhodobé skladovanie potravín

**5 :** Maximálna poloha chladenia. Spotrebič bude pracovať dlhšie. V prípade potreby zmeňte nastavenie teploty.

Ak zariadenie má polohu SF:

- Pre rýchle zmrazenie čerstvých potravín nastavte spínač na SF. V tejto pozícii bude v oddelení mrazničky najnižšia teplota. Po zmrazení potravín nastavte spínač do normálnej polohy. Ak tak neurobíte, váš spotrebič sa automaticky vráti k poslednej použitej polohe termostatu podľa času uvedeného v poznámke. Spínač termostatu vráťte do polohy SF a vráťte ho do normálneho používania podľa času uvedeného v poznámke. Ak sa spínač termostatu nachádza v pozícii SF pri počiatocnom spustení, fungovanie spotrebiča sa automaticky vráti do prevádzky do polohy termostatu 3 podľa času uvedeného v poznámke.

**Super mrazenie:** Tento spínač sa používa ako spínač na super mrazenie. Pre maximálnu kapacitu mrazenia prosím tento spínač zapnite 24 hodín pred vložením čerstvých potravín. Po vložení čerstvých potravín do mrazničky všeobecne stačí, keď spínač necháte v pozícii ZAP. asi 24 hodín. Ak chcete šetriť energiu, vypnite tento spínač po 24 hodinách od vloženia čerstvých potravín.

**Zimný spínač:** Ak je teplota okolia nižšia ako 16 °C, tento spínač sa používa ako zimný spínač a udržiava chladničku nad 0 °C, zatiaľ čo mrazničku pod -18 °C pri nízkych teplotách okolia.

### 3.2 Upozornenia pri nastaveniach teploty

- Váš spotrebič je navrhnutý tak, aby fungoval pri intervaloch okolitej teploty uvedených v normách, a to v súlade s klimatickou triedou uvedenou na informačnom štítku. Neodporúča sa, aby ste chladničku používali v prostrediach, ktoré sa nenachádzajú v rozsahu uvedených teplotných intervalov s ohľadom na efektívnosť chladenia. To by ovplyvnilo účinnosť chladenia.

- Nastavenia teploty by sa mali vykonať podľa frekvencie otvárania dverí, množstva potravín uchovávaných v chladničke a okolitej teploty.
- Pri prvom zapnutí nechajte chladničku pracovať 24 hodín, aby dosiahla prevádzkovú teplotu. Počas tejto doby neotvárajte dvere a neskladujte vo vnútri veľké množstvo potravín.
- Funkcia 5-minútového oneskorenia je aktívna, aby sa zabránilo poškodeniu kompresora spotrebiča pri pripájaní alebo odpájaní od siete alebo pri výpadku energie. Vaša chladnička začne po 5 minútach normálne fungovať.

### Klimatická trieda a význam:

**T (tropická):** Tento chladiaci spotrebič je určený na používanie pri teplote okolia v rozsahu od 16 °C do 43 °C.

**ST (subtropická):** Tento chladiaci spotrebič je určený na používanie pri teplote okolia v rozsahu od 16 °C do 38 °C.

**N (teplota):** Tento chladiaci spotrebič je určený na používanie pri teplote okolia v rozsahu od 16 °C do 32 °C.

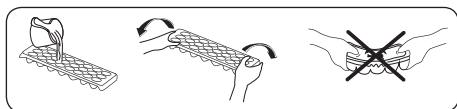
**SN (rozšírená teplota):** Tento chladiaci spotrebič je určený na používanie pri teplote okolia v rozsahu od 10 °C do 32 °C.

### 3.3 Príslušenstvo

**Vizuálne a textové popisy v časti o príslušenstve sa môžu odlišovať v závislosti od modelu spotrebiča.**

#### 3.3.1 Nádobka na ľad (pri niektorých modeloch)

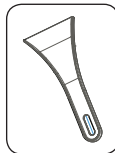
- Formu na ľad naplňte vodou a vložte ho do mraziaceho priestoru.
- Potom, čo sa voda zamrzne, môžete formu otočiť, ako je zobrazené nižšie a vysypať kocky ľadu.



#### 3.3.2 Plastová škrabka (pri niektorých

### modeloch)

Po určitom čase sa v niektorých oblastiach mrazničky vytvorí námraza. Pravidelne by ste mali odstraňovať námrazu, ktorá sa vytvorila v mrazničke. Ak je to potrebné, použite dodanú plastovú škrabku. Na túto činnosť nepoužívajte ostré kovové predmety. Mohli by preniknúť do okruhu chladničky a spôsobiť neopraviteľné poškodenie spotrebiča.



**Vizuálne a textové popisy v časti o príslušenstve sa môžu odlišovať v závislosti od modelu spotrebiča.**

## 4 USKLADNENIE POTRAVÍN

### 4.1 Chladnička

- Ak chcete znížiť vlhkosť a predísť následnej tvorbe námrazy, tekutiny vždy vkladajte do chladničky v uzatvorených nádobách. Námraza má tendenciu sa koncentrovať na najchladnejších miestach vyparovania tekutiny a po čase si spotrebič bude vyžadovať častejšie odmrazovanie.
- Uvarené potraviny musia zostať zakryté, keď sa uchovávajú v chladničke. Do chladničky nevkladajte teplé potraviny. Vkladajte ich po vychladnutí, inak sa bude teplota/vlhkosť vo vnútri chladničky zvyšovať, čím sa znižuje účinnosť chladničky.
- Dbajte na to, aby žiadne predmety neboli v priamom kontakte so zadnou stranou spotrebiča, pretože sa vytvorí námraza a obal sa k nej prílepi. Dvere chladničky neotvárajte často.
- Odporúčame, aby mäso a čisté ryby boli voľne balené a uchovávané na sklenej polici hneď nad košom na zeleninu, kde je chladnejší vzduch, a zaisťuje to najlepšie podmienky uchovávania.

- Voľné ovocie a zeleninu skladujte v nádobách na zeleninu a ovocie.
- Skladovanie ovocia a zeleniny samostatne pomáha predchádzať tomu, aby zelenina citlivá na etylén (zelený šalát, brokolica, mrkva atď.) nebola ovplyvnená ovocím uvoľňujúcim etylén (banány, broskyne, marhule, figy atď.).
- Do chladničky nedávajte mokrú zeleninu.
- Čas skladovania pre všetky potravinové produkty závisí od pôvodnej kvality potravín a neprerušovaného cyklu chladienia pred uskladnením do chladničky.
- Únik vody z mäsa môže kontaminovať ostatné potraviny v chladničke. Mäsové produkty by ste mali zabaliť a vyčistiť prípadné vytečené kvapaliny z políc.
- Potraviny nedávajte pred prechod prietoku vzduchu.
- Balené potraviny skonzumujte pred odporúčaným dátumom spotreby.

Potraviny nenechajte v kontakte so snímačom teploty, ktorý sa nachádza v chladiacom priestore, v záujme udržiavania chladiaceho priestoru pri optimálnej teplote.

- Za normálnych prevádzkových podmienok bude dostatočné upraviť nastavenie teploty chladničky na +4 °C.
- Teplota chladiaceho priestoru musí byť v rozmedzí 0 – 8 °C, čerstvé potraviny sa pri teplote nižšej ako 0 °C pokrývajú ľadom a pokazia sa, bakteriálne zaťaženie sa zvyšuje nad 8 °C a potraviny sa pokazia.
- Horúce potraviny nevkladajte do chladničky ihneď, počkajte, pokiaľ nevychladnú. Horúce potraviny zvyšujú pokiaľ nevychladnú. a spôsobia otravu jedlom a zbytočné pokazenie potravín.
- Mäso, ryby atď. sa musia uchovávať v chladiacom priestore na potraviny a priehradka na zeleninu sa uprednostňuje na zeleninu (ak je dostupná).
- Na zamedzenie krížovej kontaminácii neskladujte mäsové výrobky spolu s ovocím a zeleninou.
- Potraviny vkladajte do chladničky v uzavretých nádobách alebo zakryté, aby

sa predišlo vlhkosti a zápachom.

Tabuľka nižšie je rýchlym sprievodcom na ukázanie najúčinnnejšieho spôsobu uskladnenia hlavných potravinových skupín v chladiacom priečinku.

Potraviny	Maximálny čas uskladnenia	Ako a kde uchovávať
Zelenina a ovocie	1 týždeň	Priehradka na zeleninu
Mäso a ryby	2 – 3 dni	Zabaľte do plastovej fólie alebo do nádoby na mäso a uchovávajte na sklenej polici
Čerstvý syr	3 – 4 dni	Na vyhradenej polici dverí
Maslo a margarín	1 týždeň	Na vyhradenej polici dverí
Produkty vo fľašiach, napr. mlieko a jogurt	Až do dátumu spotreby odporúčaného výrobcom	Na vyhradenej polici dverí
Vajíčka	1 mesiac	Na vyhradenej polici na vajíčka
Varené potraviny	2 dni	Všetky poličky

#### POZNÁMKA:



Zemiaky, cibule a cesnak by sa v chladničke nemali skladovať.

#### 4.2 Mraziaci priestor

- Mrazička sa používa na uchovávanie mrazených potravín, mrazenie čerstvých potravín a tvorbu kociek ľadu.
- Potraviny v tekutom skupenstve by sa mali zmraziť v plastových nádobách a ostatné potraviny by sa mali zmraziť v plastových fóliách alebo vreckách. Mrazenie čerstvých potravín: čerstvé potraviny riadne zabaľte tak, aby bol obal vzduchotesný a nepretiekal. Ideálne sú špeciálne vrecká do mrazičky, allobal, polyetylénová vrecká a plastové nádoby.
- Čerstvé potraviny neuchovávajte vedľa zmrazených potravín, pretože môžu zmrazené potraviny rozmraziť.
- Pred mrazením čerstvých potravín

ich rozdeľte na porcie, ktoré sa dajú skonzumovať na jeden raz.

- Rozmrazené potraviny skonzumujte za krátky čas po rozmrazení.
- Pri uchovávaní mrazených potravín vždy dodržiavajte pokyny výrobcu na balení potraviny. Ak nie sú uvedené žiadne informácie, potraviny sa nesmú skladovať dlhšie ako 3 mesiace od dátumu kúpy.
- Pri kúpe mrazených potravín sa uistite, či boli uchovávané vo vhodných podmienkach a či nemajú poškodené balenie.
- Mrazené potraviny by sa mali prepravovať vo vhodných nádobách a mali by sa čo najskôr umiestniť do mrazničky.
- Nekupujte mrazené potraviny, ak balenie vykazuje znaky vlhkosti a nezvyčajného napučnutia. Je pravdepodobné, že boli uchovávané pri nevhodnej teplote a že obsah sa pokazil.
- Životnosť skladovania mrazených potravín závisí od teploty v miestnosti, nastavenia termostatu, častosti otvárania dvierok, typu potravín a od dĺžky času, ktorý je potrebný na prepravu produktu z obchodu domov. Vždy postupujte podľa

pokynov vytlačených na balení a nikdy neprekračujte maximálny odporúčaný čas skladovania.


- Ak boli dvere mrazničky ponechané dlhšie otvorené alebo neboli správne zatvorené, vytvorí sa námraza a môže brániť účinnej cirkulácii vzduchu. Ak to chcete vyriešiť, mrazničku odpojte a nechajte ju odmraziť. Po úplnom odmrazení mrazničku vyčistite.
- Objem mrazničky uvedený na štítku je objem bez košov, krytov a podobne.
- Nezmrazujte rozmrazené potraviny. Môžu predstavovať nebezpečenstvo pre vaše zdravie a môžu spôsobiť problémy, ako napríklad otravu jedlom.

**POZNÁMKA:** Ak sa pokúsíte otvoriť dvere mrazničky bezprostredne po ich zatvorení, môže sa stať, že to nepôjde ľahko. Je to normálne. Po dosiahnutí rovnováhy sa dvere otvoria ľahko.



Tabuľka nižšie je rýchlym sprievodcom na ukázanie najúčinnšieho spôsobu uskladnenia hlavných potravinových skupín v mraziacom priečinku.

Mäso a ryby	Príprava	Maximálny čas uskladnenia (mesiace)
Steak	Zabaliť do fólie	6 – 8
Jahňacie mäso	Zabaliť do fólie	6 – 8
Tefacia roštenka	Zabaliť do fólie	6 – 8
Tefacie kocky	Na malé kúsky	6 – 8
Jahňacie kocky	Na kúsky	4 – 8
Mleté mäso	V baleniach bez použitia korenín	1 – 3
Drobky (kúsky)	Na kúsky	1 – 3
Bolonská omáčka/saláma	Mala by sa uchovávať zabalená	
Kura a moriak	Zabaliť do fólie	4 – 6
Hus a kačka	Zabaliť do fólie	4 – 6
Jeleň, zajac, diviak	V 2,5 kg porciách alebo ako filety	6 – 8
Sladkovodné ryby (losos, kapor, žeriav, sumec)		2
Štíhle ryby (ostriež, kambala veľká, platýz)	Po odstránení vnútorností a šupín ich pomývajte a osušte. Ak je to potrebné, odrežte chvost a hlavu.	4
Mastné ryby (tuniak, makrela, lufara dravá, sardela)		2 – 4
Mäkkýše	Čisté a vo vrecku	4 – 6
Kaviár	Vo svojom balení alebo v hliníkovej alebo plastovej nádobe	2 – 3
Slimáky	V slanej vode alebo v hliníkovej alebo plastovej nádobe	3

 **POZNÁMKA:** Rozmrazené mäso by sa malo variť ako čerstvé mäso. Ak sa po odmrázení mäso neuvarí, nesmie sa opätovne zmraziť.

Zelenina a ovocie	Príprava	Maximálny čas uskladnenia (mesiace)
Ťahavé fazule a bôby	Umyte, narežte na malé kúsky a uvarte vo vode	10 – 13
Fazule	Olúpte, umyte a uvarte vo vode	12
Kel	Očistite a uvarte vo vode	6 – 8
Mrkva	Očistite, narežte na plátky a uvarte vo vode	12
Korenie	Odrežte vňať, rozrežte na dva kúsky, odstráňte jadro a uvarte vo vode	8 – 10
Špenát	Umyte a uvarte vo vode	6 – 9
Karfiol	Odstáňte lístky, rozrežte ružičky na kúsky a chvíľku nechajte vo vode s malým podielom citrónovej šťavy	10 – 12
Baklažán	Po umytí narežte na kúsky s hrúbkou 2 cm	10 – 12
Kukurica	Očistite a zabaľte so šúľkom alebo ako sladkú kukuricu	12





Zelenina a ovocie	Príprava	Maximálny čas uskladnenia (mesiace)
Jablko a hruška	Olúpte a narežte na mesiacíky	8 – 10
Marhuľa a broskyňa	Narežte na kúsky a odstráňte kôstku	4 – 6
Jahody a černice	Umyte a olúpte	8 – 12
Varené ovocie	Do nádoby pridajte 10 % cukru	12
Slivky, čerešne, kyslé bobuľoviny	Umyte ich a odstráňte stonky	8 – 12


	Maximálny čas uskladnenia (mesiace)	Dĺžka rozmrazovania pri izbovej teplote (hodiny)	Čas rozmrazovania v rúre (minúty)
Chlieb	4 – 6	2 – 3	4 – 5 (220 – 225 °C)
Sušienky	3 – 6	1 – 1,5	5 – 8 (190 – 200 °C)
Cesto	1 – 3	2 – 3	5 – 10 (200 – 225 °C)
Koláč	1 – 1,5	3 – 4	5 – 8 (190 – 200 °C)
Lístkové cesto	2 – 3	1 – 1,5	5 – 8 (190 – 200 °C)
Pizza	2 – 3	2 – 4	15 – 20 (200 °C)

Mliečne produkty	Príprava	Maximálny čas uskladnenia (mesiace)	Podmienky skladovania
Balené (homogenizované) mlieko	Vo vlastnom balení	2 – 3	Čisté mlieko – vo vlastnom balení
Syr – s výnimkou bieleho syru	V plátkoch	6 – 8	Na krátkodobé skladovanie sa môže použiť pôvodné balenie. Na dlhšie obdobie by sa mal zabaliť do fólie.
Maslo, margarín	Vo vlastnom balení	6	

## 5 ČISTENIE A ÚDRŽBA

 Pred čistením odpojte spotrebič od napájania.

 Spotrebič nečistite nalievaním vody do vnútra.

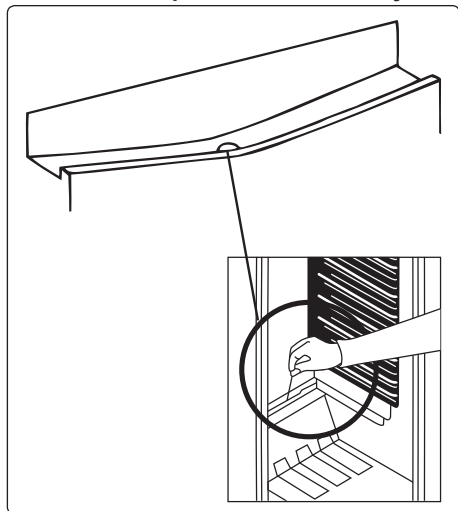
 Na čistenie spotrebiča nepoužívajte abrazívne a čistiace prostriedky alebo mydlá. Po umytí opláchnite čistou vodou a dôkladne osušte. Po dokončení čistenia zástrčku suchými rukami opäť pripojte k zásuvke, y sa do krytu svetla a ostatných elektrických komponentov nedostala žiadna voda.

- Spotrebič musí byť čistený pravidelne roztokom jedlej sódy a vlažnej vody.
- Príslušenstvo vyčistite jednotlivo rukami pomocou mydla a vody. Príslušenstvo neumývajte v umývačke riadu.
- Kondenzátor čistite kefkou aspoň dvakrát ročne. Pomôže vám to ušetriť náklady na energiu a zvýšiť produktivitu.

 **Počas čistenia sa musí odpojiť napájanie.**

### 5.1 Odmrazovanie

#### Odmrazovanie priestoru chladničky



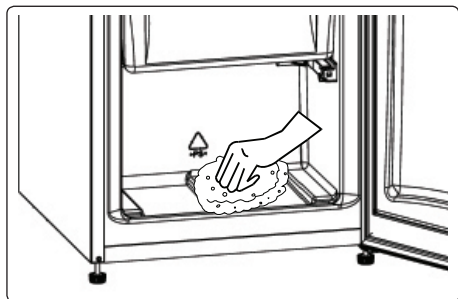
- Počas prevádzky dochádza k odmrázovaniu v chladiacom priestore automaticky. Voda sa zbiera do

odparovacej tácky a automaticky sa odparuje.

- Odparovacia tácka a odtokový otvor na vodu by ste mali čistiť pravidelne so zátkou odtokového otvoru na rozmrazenú vodu, aby ste predišli nahromadeniu vody na dne chladničky namiesto toho, aby vytekala.
- Odtokový otvor môžete vyčistiť aj tak, že do neho nalejete pol pohára vody.

#### Proces odmrázovania mrazničky


- Vo vnútri mrazničky sa nahromadí malé množstvo námrazy v závislosti od dĺžky času, na aký môžu byť dvierka ponechané otvorené alebo koľko vlhkosti vnikne dovnútra. Je potrebné zabezpečiť, aby sa netvorila námraza na miestach, na ktorých by to ovplyvnilo tesnosť dvierok. To spôsobí prenikanie vzduchu do mrazničky a tak bude kompresor neustále pracovať. Tenká námraza je mäkká a možno ju odstrániť kefkou alebo plastovou škrabkou. Nepoužívajte kovové alebo ostré škrabky, mechanické zariadenia ani iné prostriedky na urýchlenie procesu odmrázovania. Odstráňte všetku uvoľnenú námrazu zo stien krytu. Pri odstraňovaní tenkej námrazy nie je nutné spotrebič vypínať.
- Na odstránenie hrubých vrstiev ľadu odpojte spotrebič od napájania, vyprázdňte obsah do kartónových krabíc a zabalte do silných prikrývok alebo vrstiev papiera, aby zostali v chlade. Odmrazovanie bude najúčinnnejšie, keď bude mraznička takmer prázdna a musí byť vykonané čo najrýchlejšie, aby sa predišlo zbytočnému zvýšeniu teploty.
- Nepoužívajte kovové alebo ostré škrabky, mechanické zariadenia ani iné prostriedky na urýchlenie procesu odmrázovania. Zvýšenie teploty počas odmrázovania skráti dobu skladovania zmrazených potravín. Počas odmrázovania udržiavajte obsah dobre zabalený a v chlade.



- Vnútrotnú časť vysušte špongiou alebo čistou utierkou.
- Ak chcete odmrázovanie urýchliť, umiestnite do priestoru mrazničky jednu alebo viac misiek s teplou vodou.
- Pred vrátením do mrazničky skontrolujte obsah, a ak niektoré balenia rozmrzli, je nutné ich skonzumovať do 24 hodín alebo uvariť a opäť zmraziť.
- Po dokončení odmrázania vyčistite vnútro spotrebiča roztokom teplej vody a trochu sody bikarbóny, potom dôkladne osušte. Všetky vyberateľné časti umyte rovnakým spôsobom a opäť vložte. Opäť pripojte spotrebič k napájaniu a nechajte 2 až 3 hodiny predtým, ako vrátite potraviny späť do mrazničky, na nastavení s hodnotou MAX.

### Výmena LED osvetlenia

Ak chcete vymeniť LED osvetlenie, kontaktujte najbližšie autorizované servisné stredisko.


 **Poznámka:** Počet pásov LED diód a ich umiestnenie sa môže meniť v závislosti od modelu.

## 6 DODANIE A PREMIESTNENIE

### 6.1 Preprava a zmena polohy

- Originálne balenie a penovú výplň si môžete uschovať pre opätovnú prepravu (voliteľne).
- Spotrebič upevnite do hrubého balenia páskami alebo silnými špagátmi a postupujte podľa pokynov na prepravu uvedených na balení.
- Pri opätovnom presúvaní alebo preprave

odstráňte všetky pohyblivé časti alebo ich upevnite k spotrebiču pomocou pásov.

 Spotrebič prenášajte vždy vo vzpriamenej polohe.

## 7 PREDTÝM, AKO KONTAKTUJETE SERVISNÉ STREDISKO

Ak sa vyskytol problém s vaším **spotrebičom**, pred obrátením kontaktovaním servisného strediska skontrolujte nasledovné:

**Váš spotrebič nie je v prevádzke**  
**Skontrolujte, či:**

- Je pripojený k napájaniu.
- Zástrčka je riadne zasunutá do zásuvky.
- Nevyhodilo poistku alebo hlavný istič.
- Zásuvka je chybná. Ak to chcete skontrolovať, pripojte k tej istej zásuvke iný funkčný spotrebič.

**Výkon spotrebiča je nedostatočný.**

**Skontrolujte, či:**

- Spotrebič je dobre vyrovnaný.
- Dvierka spotrebiča sú riadne zatvorené.
- Na kondenzátore nie je prach.
- Je dostatočné miesto blízko zadnej časti a pri bočných stenách.

**Váš spotrebič je počas prevádzky hlučný**

**Normálne zvuky**

**Vydáva praskajúci zvuk:**

- Počas automatického odmrázovania.
- Keď sa spotrebič ochladzuje alebo zahrieva (z dôvodu rozťahovania materiálu spotrebiču).

**Vydáva krátky praskajúci zvuk:** Keď termostat zapne a vypne kompresor.

**Zvuk motora:** Naznačuje to, že kompresor pracuje normálne. Kompresor môže pracovať hlučnejšie počas krátkej doby po prvej aktivácii.

**Vydáva bublajúci a čľapotajúci hluk:**  
Z dôvodu prietoku chladiacej látky v rúrkach systému.

**Vydáva zvuk prúdenia vody:** Z dôvodu prúdenia vody do nádoby na

odparovanie. Tento zvuk je normálny počas odmrazovania.

**Vydáva zvuk prúdenia vzduchu:** Pri určitých modeloch počas normálnej prevádzky systému v dôsledku cirkulácie vzduchu.

### **Okraje spotrebiča v styku s pántmi dverí sú teplé.**

Predovšetkým počas leta (teplých období) sa môžu povrchy, ktoré sú v kontakte s dverami zahriať počas prevádzky kompresora, je to normálne.

### **Vo vnútri spotrebiča sa hromadí vlhkosť.**

#### **Skontrolujte, či:**

- Sú všetky potraviny riadne zabalené? Nádoby musia byť pred vložením do **spotrebiča** suché.
- Dvere **spotrebiča** sa často otvárajú. Vlhkosť z miestnosti prenikne do **spotrebiča**, keď sa otvorí dvere. Vlhkosť sa zvyšuje rýchlejšie, ak sa dvierka otvárajú častejšie, najmä keď je v miestnosti vysoká vlhkosť.

### **Dvere neotvárajte alebo riadne zatvorte**

#### **Skontrolujte, či:**

- Potraviny alebo obal bránia zatvoreniu dvierok
- Spoje dvierok sú poškodené alebo roztrhnuté.
- Váš **spotrebič** je na rovnom povrchu.

### **Odporúčania**

- Ak sa spotrebič vypne alebo ho odpojte, počkajte aspoň 5 minút pred zapojením spotrebiča alebo jeho reštartovaním, aby sa predišlo poškodeniu kompresora.
- Ak spotrebič nebudete dlhý čas používať (napr. počas letných prázdnin), odpojte ho. Spotrebič vyčistite v súlade s kapitolou o čistení a nechajte dvere otvorené, aby ste tak zabránili hromadeniu vlhkosti a zápachu.
- Ak problém pretrváva aj potom, čo ste postupovali podľa všetkých z vyššie uvedených pokynov, kontaktujte najbližšie autorizované servisné stredisko.

- Zakúpený spotrebič je navrhnutý len na použitie v domácnosti. Nie je vhodný pre komerčné alebo bežné používanie. Ak spotrebiteľ používa spotrebič spôsobom, ktorý nie je v súlade s týmito pokynmi, zdôrazňujeme, že výrobca a predajca nebudú zodpovední za akúkoľvek opravu alebo zlyhanie v rámci záručnej doby.

## **8 TIPY NA ÚSPORU ENERGIE**

1. Spotrebič umiestnite v chladnej, dobre vetranej miestnosti, nie na priamom slnku a nie v blízkosti tepelného zdroja (napr. radiátor alebo sporák), inak by sa mala použiť izolačná doska.
2. Teplé potraviny a nápoje nechajte pred ich vložením do spotrebiča vychladnúť.
3. Rozmrazované jedlo vložte do chladiaceho priestoru, ak je k dispozícii. Nízka teplota zmrazených potravín pomôže chladieť počas rozmrazovania chladiaci priestor. Tým sa ušetrí energia. Ponechanie mrazených potravín rozmrazovať mimo spotrebiča vedie k plytvaniu energiou.
4. Nápoje alebo iné tekutiny by mali byť vo vnútri spotrebiča zakryté. Ak sa ponechajú odkryté, zvýši sa vlhkosť vo vnútri spotrebiča, preto spotrebič spotrebúva viac energie. Zakrytie nápojov alebo iných tekutín pomáha zachovať ich vôňu a chuť.
5. Vyvarujte sa otváraniu dverí na dlhý čas a vyhýbajte sa aj ich častému otváraniu, keďže do spotrebiča bude vchádzať teplý vzduch a kompresor sa bude zbytočne často zapínať.
6. Kryty častí s rozličnými teplotami (napríklad zásuvky na ovocie a zeleninu, mraziacu časť, ak je k dispozícii) nechávajú zatvorené.
7. Tesnenie dvierok musí byť čisté a pružné. V prípade opotrebovania tesnenie vymeňte.

## 9 TECHNICKÉ ÚDAJE

Technické informácie sa nachádzajú na výrobnom štítku na vnútornej strane spotrebiča a na energetickom štítku.

QR kód na energetickom štítku dodanom so spotrebičom poskytuje webový odkaz na informácie súvisiace s výkonom spotrebiča v databáze EU EPREL.

Energetický štítok si uchovajte na použitie spolu s návodom na obsluhu a všetkými ostatnými dokumentmi poskytovanými s týmto spotrebičom.

Tie isté informácie môžete zároveň nájsť v databáze EPREL pomocou odkazu <https://eprel.ec.europa.eu> a názvu modelu aj čísla výrobku, ktoré nájdete na výrobnom štítku spotrebiča.

Podrobnejšie informácie o energetickom štítku nájdete na odkaze [www.theenergylabel.eu](http://www.theenergylabel.eu).

## 10 INFORMÁCIE PRE SKÚŠOBNÉ INŠTITÚCIE

Montáž a príprava spotrebiča na overenie ekodizajnu je v súlade s normou EN 62552. Požiadavky na ventiláciu, rozmery na zapustenie a minimálna zadná vôľa sa uvádzajú v tomto návode na obsluhu v ČASTI 1. V prípade akýchkoľvek ďalších informácií vrátane plánov naplneniakontaktujte výrobcu.

## 11 ZÁKAZNÍCKA STAROSTLIVOSŤ A SERVIS

Vždy používajte originálne náhradné diely. Pri kontaktovaní autorizovaného servisného strediska sa uistite, či máte k dispozícii tieto údaje: model, PNC, sériové číslo.

Údaje nájdete na výrobnom štítku.

Typový štítok sa nachádza vo vnútri chladiaceho priestoru vľavo dolu.

Pôvodné náhradné diely pre niektoré špecifické súčiastky, v závislosti od typu súčiastky, budú k dispozícii po dobu minimálne 7 alebo 10 rokov od uvedenia daného modelu na trh.

Navštívte našu webovú lokalitu na:  
[www.klugecr.cz](http://www.klugecr.cz)

CE



52317836

